



TSUDAKOMA

RCB Series

BIG BORE ROTARY TABLES



RCB-350 • RCB-450 • RCB-550

Ideal for Energy Manufacturing

- EXTRA LARGE CENTER BORE
- POWERFUL DUAL DISC HYDRAULIC CLAMPING
- UNRIVALED QUALITY

Technitron

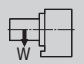
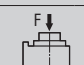

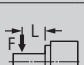
Integration Services
www.technitron.com

3980 Webster Avenue Cincinnati, OH 45212 Phone: 513.531.2926 info@technitron.com

KOMA
KOMAPRECISION.COM

20 Thompson Rd | East Windsor | CT 06088
1.800.249.5662 | 860.623.4132 Fax
www.komaprecision.com | info@komaprecision.com

Specifications

Table Model		RCB-350	RCB-450	RCB- 550
Versions available		R,L	R,L	R,L
Table diameter		350	450	550
Center height		255	310	350
Center bore	Nose Diameter	245H7	295H7	345H7
	Thru Diameter	215	265	315
Table T-slot width		14H7	14H7	18H7
Guide block width		18h7	18h7	18h7
Servo motor*		Alpha 12i	Alpha 22i	Alpha 22i
Maximum motor speed	rpm	3,000	3,000	3,000
Speed reduction ratio		1/90	1/90	1/120
Maximum table speed	rpm	33.3	33.3	33.3
Inertia converted into motor shaft	$\times 10^{-3}\text{kg}\cdot\text{m}^2$	3.48	6.14	6.01
Clamp system**		Hydraulic		
Clamp torque @500psi	Nm (ft. lbs.)	3,300 (2,432)	4,700 (3,464)	6,500 (4,790)
Indexing accuracy	arc sec.	± 7.5		
Repeatability	arc sec.	± 2		
Net Weight	kg (lbs.)	400 (880)	520 (1,144)	720 (1,584)
Allowable wheel torque	Nm (ft. lbs.)	1,942 (1,431)	3,276 (2,414)	4,716 (3,475)
Allowable work inertia	kg·m ²	6.1	17.7	37.8
Allowable work weight [with tailstock]	 kg (lbs)	400 (880)	700 (1,540)	1,000 (2,200)
	 N (lbf)	29,400 (6,586)	45,000 (10,080)	54,000 (12,096)
Allowable load when table clamped	 Nm (ft. lbs.)	3,300 (2,432)	4,700 (3,464)	6,500 (4,790)
	 Nm (ft. lbs.)	3,626 (2,672)	8,000 (5,896)	15,132 (11,152)

*Other motors & rpm available

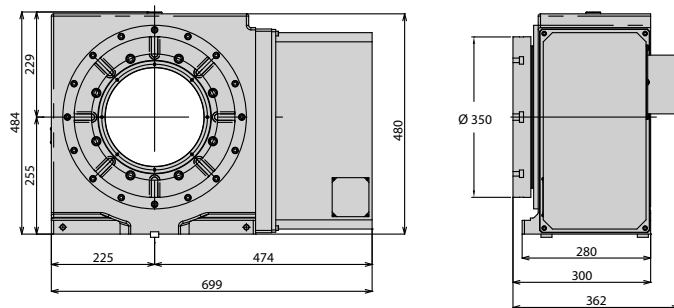
• Dimensions = mm

** Booster optional

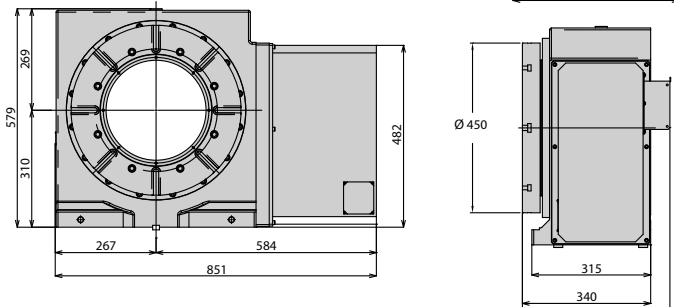
Specifications subject to change without notice

Dimensions

RCB-350



RCB-450



RCB-550

