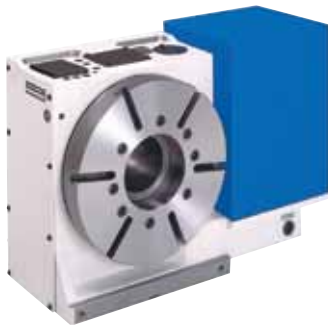
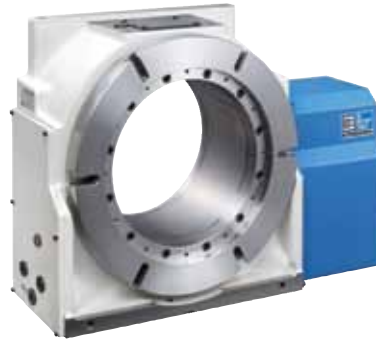


## KITAGAWA T SERIES NC ROTARY TABLES



T and TRX Series



TP Series

### MODELS

**TR401**

**TR500**

**TP530**

**TR630**

MODEL		TR401	TR500	TP530	TR630
Table Diameter		15.75	19.69	20.87	24.80
Center Height in Vertical		10.04	12.20	12.20	15.75
Table Height in Horizontal		9.84	9.84	9.84	12.99
Overall Height in Vertical		18.70	23.54	23.43	29.92
Thru Hole Diameter		6.06	6.69	13.582	9.84
Width of T Slot		.71	.71	.71	.71
AC Servo Motor	Fanuc	αiF12/3000	αiF12/3000	αiF12/3000	αiF22/3000
	Mitsubishi	HF-204S	HF-204S	HF-204S	HF-354S
	Yaskawa	SGMGH-20	SGMGH-20	SGMGH-20	SGMGH-30
	OSP	BL-ME100J	BL-ME100J	BL-ME100J	BL-ME200J
Gear Ratio		1/180	1/180	1/180	1/180
**Maximum R.P.M.		11.10	11.10	11.10	11.10
Minimum Resolution (Degree)		0.001	0.001	0.001	0.001
Indexing Accuracy (sec)		15	15	20	15
Repeatability (sec)		±2	±2	±2	±2
*Clamping Force (ft-lb.)		1844	2360	4499	3319
Permissible Load (lb.)	Horizontal	1102	1323	—	2205
	Vertical	551	661	770	882
Maximum Work Inertia (lb.-in-sec <sup>2</sup> )		89	166	109	439
Weight (lb.)		770	1213	806	1984

Note: \* means clamping force is based on hydraulic pressure at 500 PSI.

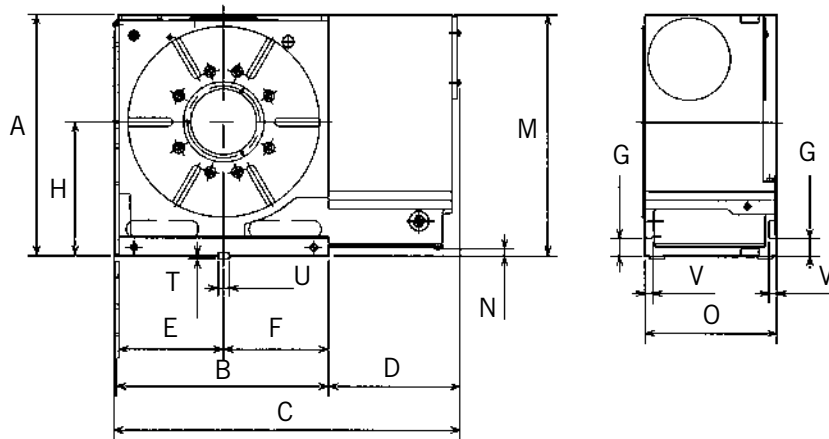
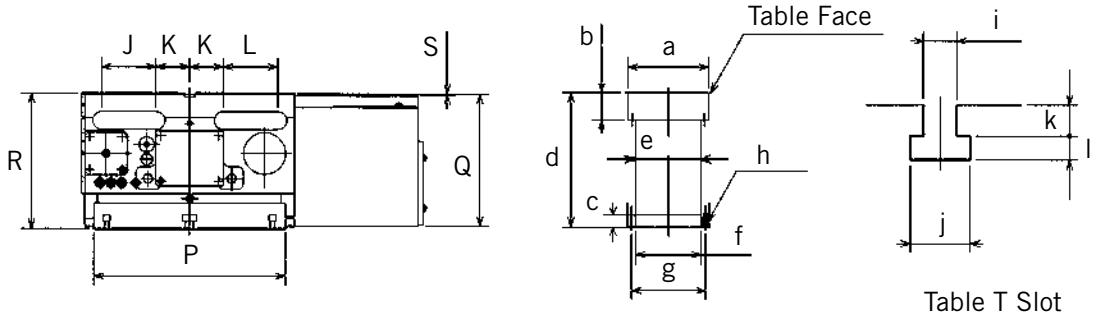
Note: \*\* means that maximum RPM is obtained with motor speed at 2,000 rpm.

Note: See accessory chart (p223) for complete listing of optional accessories.

Note: TR401 and TP530 do not come with std. built-in airbooster.

Note: Order AB50T (p220) optional airbooster for use on machines with no hydraulic unit.

### KITAGAWA T SERIES NC ROTARY TABLES



MODEL	A	B	C	D	E	F	G	H	J	K	L
TR401	18.70	17.28	30.08	12.80	8.42	8.86	1.38	10.04	4.21	2.95	4.21
TR500	23.23	21.97	34.37	12.24	10.24	11.54	1.38	12.20	4.92	3.94	4.92
TP530	23.43	23.31	33.07	9.76	12.09	11.22	1.38	12.20	6.06	3.98	6.06
TR630	29.92	29.61	38.39	8.31	13.58	13.39	1.57	15.75	7.68	3.54	7.68

M	N	O	P	Q	R	S	T	U	V	a
15.85	.75	9.65	15.75	9.65	9.84	.08	.20	.7087 h7	.51	7.0866 H7
23.54	3.31	9.65	19.69	9.65	9.84	.08				7.8740 H7
16.14	.28	9.65	20.87	8.78	9.84	.39				15.7480 H7
25.51	3.03	12.80	24.80	12.80	12.99	.08				11.0236 H7

b	c	d	e	f	g	h	i	j	k	l
1.97	.79	8.94	6.06	6.0623 H8	6.69	6-M12	.71	1.18	.71	.47
1.97		9.13	6.69	6.6929 H8	7.48	6-M12				
.79		9.13	13.62	13.5827 H8	13.98	12-M6				
2.95		10.98	9.84	9.8425 H8	10.87	8-M12				

## ACCESSORY CHART & RECOMMENDED LUBRICANT OIL FOR KITAGAWA ROTARY TABLES

MODEL/ KIW NO.	TAIL STOCK	AIR/HYDRAULIC TAILSTOCK	SCROLL CHUCK	AIR CHUCK	ROTARY JOINT	AIR BOOSTER	LUBE/OIL
TC-5C-1/ TC100	TS100	TS100-RSA	SC-4	—	—	—	MOBIL VACTRA NO. 1
TC-5C-1A/ TC100-A	TS100	TS100-RSA	SC-4				
TC-5C-2A/ TC2100-A	TS100-2	TS100-2RSA	SC-4				
TC-5C-3A/ TC3100-A	TS100-3	TS100-3RSA	SC-4				
MR120	TS160	TS160-RSA	SC-5	NRC04	RJ32H12Q		
MR160	TS200	TS200-RSA	SC-6T	NRC04	RJ40H16Q		
MR200	TS200	TS200-RSA	SC-7T	NRC06	RJ40H20Q		
MR250	TS250	TS250-RSA	SC-9T	NRC08	RJ70H25Q		
MR320	TS320	TS320-RSA	SC-12T-4	NRC10	RJ70H25M		
TMX160	TS160	TS160-RSH(A)	SC-6T	NRC04,06	RJ40H16D		
TMX200	TS200	TS200-RSH(A)	SC-7T	NRC04,06	RJ40H20D		
TMX250	TS250	TS250-RSH(A)	SC-9T	NRC06,08	RJ70H25D		
TRX320	TS320	TS320-RSH(A)	SC-12T-4	NRC10	RJ70H32K		
TR401	TS400	—	SC-14-PB	—	RJ80H40R		
TR500	TS500		SC-14-PB		RJ80H		
TP530	TS500		SC21-12.6 IC21-13.6		—		
TR630	TS630		SC-16		RJ80H		
TBX160	TS160	TS160-RSA(H)	SC-6T	NRC04,06	—	—	MOBIL VACTRA NO. 1
TBX200	TS200	TS200-RSH(A)	SC-7T	NRC04,06	RJ40H20F		MOBIL VACTRA NO. 2
TBX250	TS250	TS250-RSH(A)	SC-9T	NRC06,08	RJ70H25F		
TBX320	TS320	TS320-RSH(A)	SC-12T-4	NRC10	RJ70H32F		

**Technitron**

**Integration Services**  
www.technitron.com