

KITAGAWA T SERIES NC ROTARY TABLES

Patented

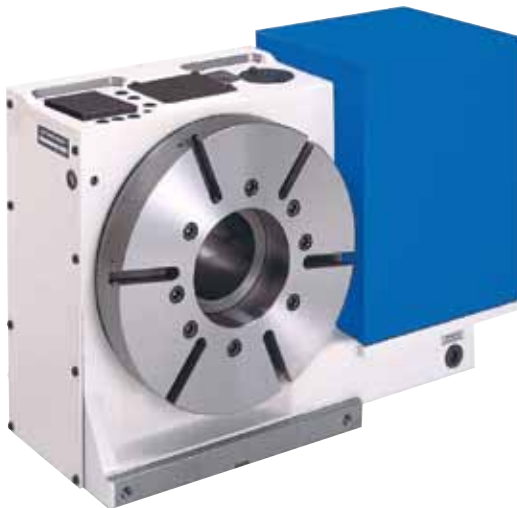
**TILTING, SIDE AND REAR MOTOR-MOUNT ROTARY TABLES...
the industry leaders for durability and precision.**

Featuring robust construction and powerful clamping for ultimate accuracy.

Kitagawa's outstanding line-up is designed to handle the widest possible range of applications, including shaft work requiring a large thru hole.

Inductosyn or Rotary Scale option available upon request.

NOW...built-in air boosters are standard for all TX models. And all models are available in true 4th and 5th axes interface or indexers with MAC mini i controller.



KITAGAWA T SERIES NC ROTARY TABLES

LOAD CAPACITIES

MODEL	PERMISSIBLE LOAD		MAX. MACHINE FORCE			*MAX. TORQUE CAP.
	lb.	lb.	lb.	ft-lb.	ft-lb.	ft-lb. W
TMX160, TBX160	353	176	2248	443	332	177
TMX200, TBX200	441	221	3822	811	443	229
TMX250, TBX250	551	276	4721	1180	812	538
TRX320, TBX320	772	397	5845	1844	1918	738
TR401	1102	551	7194	3688	1844	1254
TR500	1323	661	11240	5901	2360	1918
TP530	—	770	11240	5901	4499	1918
TR630	2205	882	15736	7376	2950	3688

Note: Clamping force is based on air pressure at 71 PSI and hydraulic oil pressure at 500 PSI.

Note: * means maximum torque capacity of worm gear per 1 rpm table rotation.

Note: TBX Series and TP530 are for vertical use only.

GUARANTEED ACCURACIES

ITEM	DESCRIPTION OF INSPECTION	GUARANTEED ACCURACY	
1	Flatness of Table Face	.0004	
2	Parallelism Between Table Face and Base	.0008	
3	Parallelism Between Center of Table and Base	.0008	
4	Run-out of Table Face in Rotation	.0004	
5	Concentricity of Center Hole	.0004	
6	Parallelism Between Center of Table and Center of Guide Blocks	.0008	
7	Deviation Between Center of Table and Center of Guide Blocks	.0008	
8	Indexing Accuracy	*15	
9	Repeatability	±2	

Note: * means 20 seconds for model: TMX160, TBX160, TMX200, TBX200 and TP530.

Note: Measurement is taken at 12" length from either face or center of the table.

KITAGAWA T SERIES NC ROTARY TABLES



MODELS

TMX160

TMX200

TMX250

TRX320

MODEL		TMX160	TMX200	TMX250	TRX320
Table Diameter		6.50	7.87	9.84	12.60
Center Height in Vertical		4.72	5.51	7.09	8.86
Table Height in Horizontal		5.71	6.93	8.27	8.86
Overall Height in Vertical		9.69	11.02	13.07	15.94
Thru Hole Diameter		1.57	2.05	3.07	4.33
Width of T Slot		.47	.47	.47	.55
AC Servo Motor	Fanuc	αiF2/5000	αiF4/4000	αiF4/4000	αiF8/3000
	Mitsubishi	HF-75T	HF-104T	HF-104T	HF-104T
	Yaskawa	SGMAS-08	SGMGH-05	SGMGH-09	SGMGH-09
	OSP	BL-ME24J	BL-ME40J	BL-ME80J	BL-ME80J
Gear Ratio		1/72	1/90	1/90	1/120
**Maximum R.P.M.		41.6	33.3	33.3	25.0
Minimum Resolution (Degree)		0.001	0.001	0.001	0.001
Indexing Accuracy (sec)		20	20	15	15
Repeatability (sec)		±2	±2	±2	±2
*Clamping Force (ft-lb.)		332	443	811	1918
Permissible Load (lb.)	Horizontal	353	441	551	772
	Vertical	176	221	276	397
Maximum Work Inertia (lb.-in-sec ²)		4.5	8.9	17.3	40
Weight (lb.)		124	133	223	432

Note: * means clamping force is based on air pressure at 71 PSI.

Note: ** means that maximum RPM is obtained with motor speed at 3,000 rpm.

Note: See accessory chart (p223) for complete listing of optional accessories.

KITAGAWA T SERIES NC ROTARY TABLES

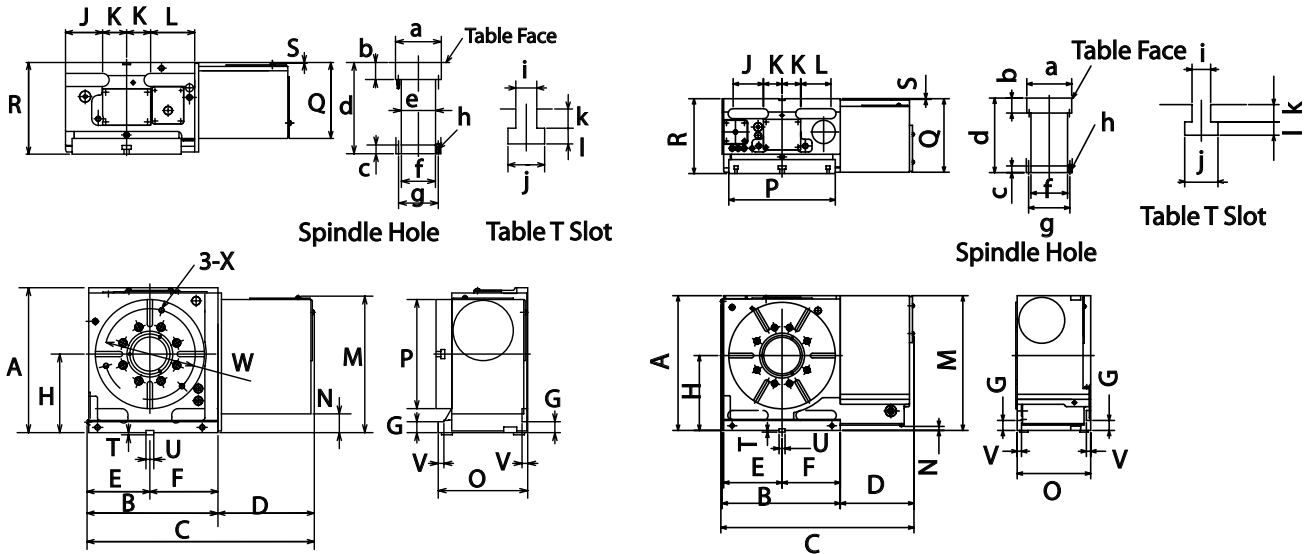


FIG. 1

FIG. 2

MODEL	A	B	C	D	E	F	G	H	J	K	L	M
TMX160	9.13	8.11	16.97	8.86	4.09	4.02	.79	4.72	—	—	—	9.69
TMX200	10.24	9.61	19.17	9.57	4.69	4.92	.79	5.51	2.68	1.85	2.48	12.44
TMX250	13.07	11.81	21.54	9.72	5.67	6.14	.98	7.09	3.35	2.17	3.98	13.07
TRX320	15.94	13.98	24.88	10.75	6.91	6.89	1.18	8.86	3.58	2.21	3.58	16.26

N	O	P	Q	R	S	T	U	V	W	X	a	b
.24	5.51	6.50	5.51	5.71	.03	.20	.7087 h7	.39	5.71	M10	1.9685 H7	1.26
.51	6.73	7.87	6.73	6.93	.08			.39	6.69	M10	2.9528 H7	1.46
1.69	8.07	9.84	7.52	8.27	.04			.51	8.19	M12	4.1339 H7	1.54
.48	8.70	12.60	8.70	8.86	.08			.51	—	—	5.3150 H7	1.77

c	d	e	f	g	h	i	j	k	l	FIG.
.79	5.67	1.59	1.5748 H8	1.97	6-M6	.47	.83	.43	.35	1
	6.89	2.07	2.0472 H8	2.44	6-M6					1
	8.23	3.09	3.0708 H8	3.58	6-M8					1
	8.82	4.35	4.3310 H8	4.88	8-M8	.55	.98	.51	.39	2

ACCESSORY CHART & RECOMMENDED LUBRICANT OIL FOR KITAGAWA ROTARY TABLES

MODEL/ KIW NO.	TAIL STOCK	AIR/HYDRAULIC TAILSTOCK	SCROLL CHUCK	AIR CHUCK	ROTARY JOINT	AIR BOOSTER	LUBE/OIL
TC-5C-1/ TC100	TS100	TS100-RSA	SC-4	—	—	—	MOBIL VACTRA NO. 1
TC-5C-1A/ TC100-A	TS100	TS100-RSA	SC-4				
TC-5C-2A/ TC2100-A	TS100-2	TS100-2RSA	SC-4				
TC-5C-3A/ TC3100-A	TS100-3	TS100-3RSA	SC-4				
MR120	TS160	TS160-RSA	SC-5	NRC04	RJ32H12Q		
MR160	TS200	TS200-RSA	SC-6T	NRC04	RJ40H16Q		
MR200	TS200	TS200-RSA	SC-7T	NRC06	RJ40H20Q		
MR250	TS250	TS250-RSA	SC-9T	NRC08	RJ70H25Q		
MR320	TS320	TS320-RSA	SC-12T-4	NRC10	RJ70H25M		
TMX160	TS160	TS160-RSH(A)	SC-6T	NRC04,06	RJ40H16D		
TMX200	TS200	TS200-RSH(A)	SC-7T	NRC04,06	RJ40H20D		
TMX250	TS250	TS250-RSH(A)	SC-9T	NRC06,08	RJ70H25D		
TRX320	TS320	TS320-RSH(A)	SC-12T-4	NRC10	RJ70H32K		
TR401	TS400	—	SC-14-PB	—	RJ80H40R		
TR500	TS500		SC-14-PB		RJ80H		
TP530	TS500		SC21-12.6 IC21-13.6		—		
TR630	TS630		SC-16		RJ80H		
TBX160	TS160	TS160-RSA(H)	SC-6T	NRC04,06	—	—	MOBIL VACTRA NO. 1
TBX200	TS200	TS200-RSH(A)	SC-7T	NRC04,06	RJ40H20F		MOBIL VACTRA NO. 2
TBX250	TS250	TS250-RSH(A)	SC-9T	NRC06,08	RJ70H25F		
TBX320	TS320	TS320-RSH(A)	SC-12T-4	NRC10	RJ70H32F		

Technitron

Integration Services
www.technitron.com