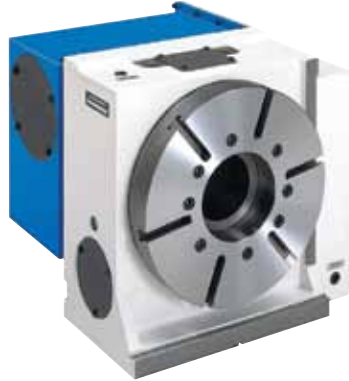


KITAGAWA T SERIES NC ROTARY TABLES



MODELS

TBX160

TBX200

TBX250

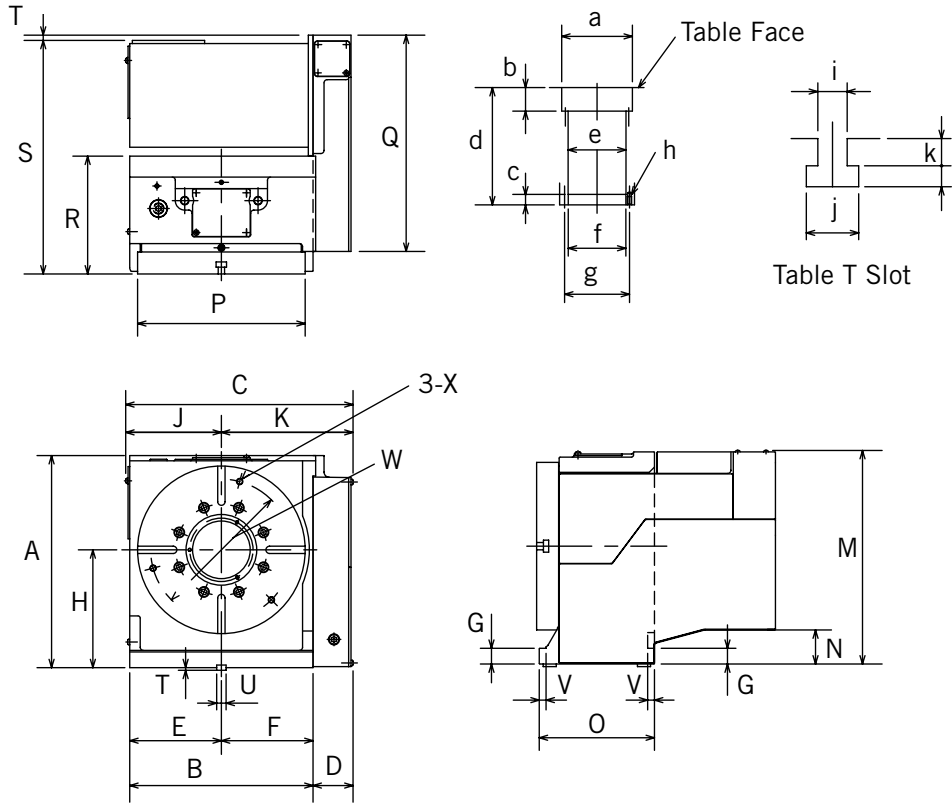
TBX320

MODEL		TBX160	TBX200	TBX250	TBX320
Table Diameter		6.50	7.87	9.84	12.60
Center Height in Vertical		4.72	5.51	7.09	8.86
Overall Height in Vertical		10.63	11.65	14.45	16.06
Thru Hole Diameter		1.57	2.05	3.07	4.33
Width of T Slot		.47	.47	.47	.55
AC Servo Motor	Fanuc	αiF2/5000	αiF4/4000	αiF4/4000	αiF8/3000
	Mitsubishi	HF-75T	HF-104T	HF-104T	HF-104T
	Yaskawa	SGMAS-08	SGMGH-05	SGMGH-09	SGMGH-09
	OSP	BL-ME24J	BL-ME40J	BL-ME80J	BL-ME80J
Gear Ratio		1/72	1/90	1/90	1/120
*Maximum R.P.M.		41.6	33.3	33.3	25.0
Minimum Resolution (Degree)		0.001	0.001	0.001	0.001
Indexing Accuracy (sec)		20	20	15	15
Repeatability (sec)		±2	±2	±2	±2
Clamping Force (ft-lb.)	Air Pressure at 71PSI	332	443	811	1918
Permissible Load (lb.)	Vertical	176	221	276	397
Maximum Work Inertia (lb.-in-sec ²)		2.3	4.4	8.7	19.8
Weight (lb.)		146	164	298	485

Note: * means that maximum RPM is obtained with motor speed at 3,000 rpm.

Note: See accessory chart (p223) for complete listing of optional accessories.

KITAGAWA T SERIES NC ROTARY TABLES



MODEL	A	B	C	D	E	F	G	H	I	J	K	M
TBX160	10.63	8.11	11.22	2.80	4.10	4.02	.79	4.72	.20	4.41	6.81	10.63
TBX200	10.24	9.33	13.31	2.80	4.53	4.80	.79	5.51		5.71	7.60	11.85
TBX250	13.07	11.65	15.94	2.99	5.51	6.14	.98	7.09		6.81	9.13	14.76
TBX320	15.94	13.78	17.09	2.99	6.89	6.89	1.18	8.86		7.20	9.88	16.06

N	O	P	Q	R	S	T	U	V	W	X	a
1.34	5.51	6.50	11.73	5.71	11.34	.59	.7087 h7	.39	5.71	M10	1.9685 H7
1.38	6.73	7.87	12.36	6.93	14.09	—	.7087 h7	.39	6.69	M10	2.9528 H7
2.17	8.07	9.84	14.84	8.27	15.94	.31	.7087 h7	.51	8.19	M12	4.1339 H7
2.56	8.66	12.60	16.26	8.86	17.64	.31	.7087 h7	.51	—	—	5.3150 H7

b	c	d	e	f	g	h	i	j	k	l
1.26	.79	5.67	1.57	1.5748 H8	1.97	6-M6	.47	.83	.43	.35
1.46		6.89	2.09	2.0472 H8	2.44	6-M6				
1.54		8.23	3.09	3.0709 H8	3.58	6-M8				
1.77		8.82	4.35	4.3307 H8	4.88	8-M8				

ACCESSORY CHART & RECOMMENDED LUBRICANT OIL FOR KITAGAWA ROTARY TABLES

MODEL/ KIW NO.	TAIL STOCK	AIR/HYDRAULIC TAILSTOCK	SCROLL CHUCK	AIR CHUCK	ROTARY JOINT	AIR BOOSTER	LUBE/OIL
TC-5C-1/ TC100	TS100	TS100-RSA	SC-4	—	—	—	MOBIL VACTRA NO. 1
TC-5C-1A/ TC100-A	TS100	TS100-RSA	SC-4				
TC-5C-2A/ TC2100-A	TS100-2	TS100-2RSA	SC-4				
TC-5C-3A/ TC3100-A	TS100-3	TS100-3RSA	SC-4				
MR120	TS160	TS160-RSA	SC-5	NRC04	RJ32H12Q		
MR160	TS200	TS200-RSA	SC-6T	NRC04	RJ40H16Q		
MR200	TS200	TS200-RSA	SC-7T	NRC06	RJ40H20Q		
MR250	TS250	TS250-RSA	SC-9T	NRC08	RJ70H25Q		
MR320	TS320	TS320-RSA	SC-12T-4	NRC10	RJ70H25M		
TMX160	TS160	TS160-RSH(A)	SC-6T	NRC04,06	RJ40H16D		
TMX200	TS200	TS200-RSH(A)	SC-7T	NRC04,06	RJ40H20D		
TMX250	TS250	TS250-RSH(A)	SC-9T	NRC06,08	RJ70H25D		
TRX320	TS320	TS320-RSH(A)	SC-12T-4	NRC10	RJ70H32K		
TR401	TS400	—	SC-14-PB	—	RJ80H40R		
TR500	TS500		SC-14-PB		RJ80H		
TP530	TS500		SC21-12.6 IC21-13.6		—		
TR630	TS630		SC-16		RJ80H		
TBX160	TS160	TS160-RSA(H)	SC-6T	NRC04,06	—	—	MOBIL VACTRA NO. 1
TBX200	TS200	TS200-RSH(A)	SC-7T	NRC04,06	RJ40H20F		MOBIL VACTRA NO. 2
TBX250	TS250	TS250-RSH(A)	SC-9T	NRC06,08	RJ70H25F		
TBX320	TS320	TS320-RSH(A)	SC-12T-4	NRC10	RJ70H32F		

Technitron

Integration Services
www.technitron.com