

Compact 4-Axis Table

RS Series tables offer a combination of compactness with high torque. Used for many applications from small tapping centers to machining centers.



RS series

Features

- Oversized bore
- Low profile; compact size
- High-speed rotation

Specifications		RS100	RS170	RS200	RS240
Table diameter	mm	φ100	φ170	φ200	φ240
Table reference bore diameter	mm	φ50 H7	φ80 H7	φ100 H7	φ130 H7
Center height	mm	125	115	125	132
Gear ratio		1/60	1/60	1/60	1/90
Maximum table speed	rpm	75	75	75	55
Indexing accuracy	arc.sec	±15	±15	±10	±10
Repeatability	arc.sec	8	8	4	4
Net. weight	kg	38	44	56	72

Loading characteristics		RS100	RS170	RS200	RS240	
Allowable payload	Upright position	kg	40	80	100	120
Allowable load	Allowable axial load	N	6016	9083	10670	11580
	Continuous holding torque	N·m	148	168	286	404
	* Maximum holding torque	N·m	267	287	437	631
	Allowable bending moment	N·m	290	900	1250	1591
Maximum moment of inertia		kg·m ²	0.50	0.60	1.20	2.00

* These specifications are for reference purposes only, please contact Sankyo for detailed specifications. Maximum output torque should not exceed 10 seconds or 20% duty cycle.

Options	RS100	RS170	RS200	RS240
Built-in rotary joint (number of ports)	4	5	5	5
Output rotary encoder	MPI-536A(MPRZ-536A) (MITSUBISHI)	MPI-536A(MPRZ-536A) (MITSUBISHI)	MPI-536A(MPRZ-536A) (MITSUBISHI)	MPI-536A(MPRZ-536A) (MITSUBISHI)

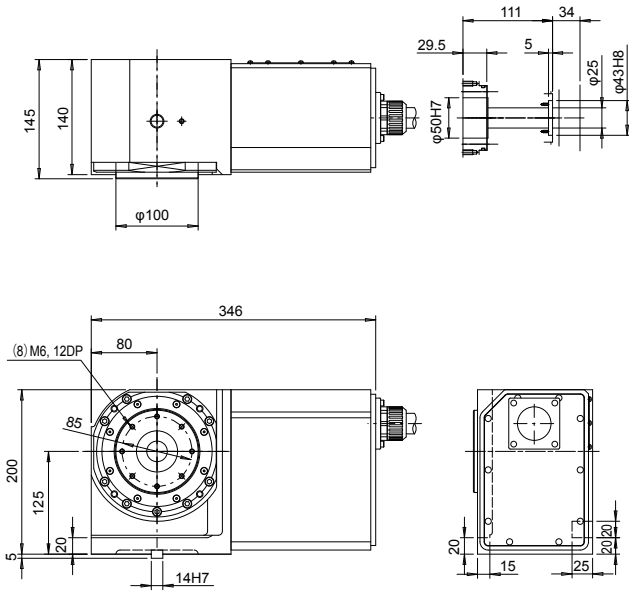
Model Code

1	RS170	-	2	A	3	L	4	S	-	5	E	6	J
1	Model		2	Servo Motor	3	Motor mounting side	4	Connector		5	Encoder	6	Option
	RS100 RS170 RS200 RS240		A B C D E X	R L	S B					E	J		

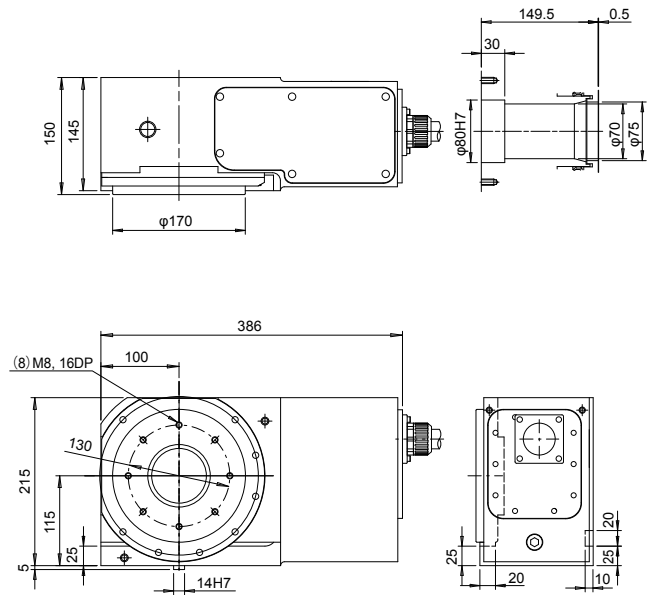
* If the unit is mounted with an encoder, hydraulic clamp, or rotary joint, the hollow bore table is not available.

Servo Motor	Motor mounting side	Connector															
<table border="1"> <tr><th>Manufacture</th></tr> <tr><td>A FANUC</td></tr> <tr><td>B MITSUBISHI</td></tr> <tr><td>C YASKAWA</td></tr> <tr><td>D SANYO</td></tr> <tr><td>E -</td></tr> <tr><td>X Ask Sankyo for mounting other motors</td></tr> </table>	Manufacture	A FANUC	B MITSUBISHI	C YASKAWA	D SANYO	E -	X Ask Sankyo for mounting other motors	<table border="1"> <tr><th>R</th></tr> <tr><td></td></tr> <tr><th>L</th></tr> <tr><td></td></tr> </table>	R		L		<table border="1"> <tr><th>S</th></tr> <tr><td></td></tr> <tr><th>B</th></tr> <tr><td></td></tr> </table>	S		B	
Manufacture																	
A FANUC																	
B MITSUBISHI																	
C YASKAWA																	
D SANYO																	
E -																	
X Ask Sankyo for mounting other motors																	
R																	
L																	
S																	
B																	

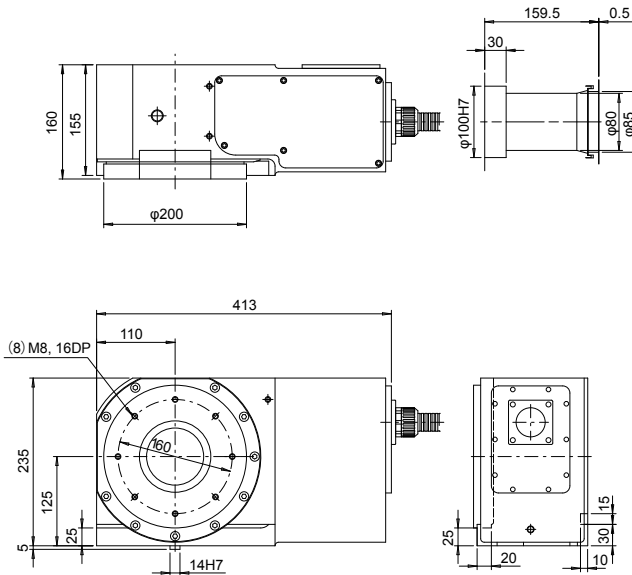
RS100



RS170



RS200



RS240

