

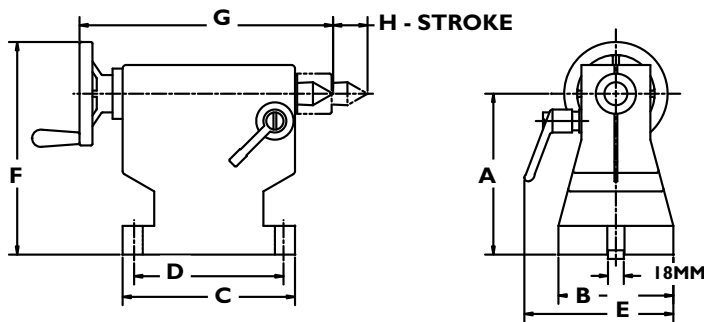
## Standard Features:

- Removable dead center
- #3 morse taper on models TS-5c,6.5,9,10,12 and 15
- #5 morse taper on models TS-16.5,20 and 25
- Left hand or right hand locking handle position
- 4 way - 2 position pneumatic valve (pts- model only)
- Spindle oilers on all models
- Matched center height to mating table

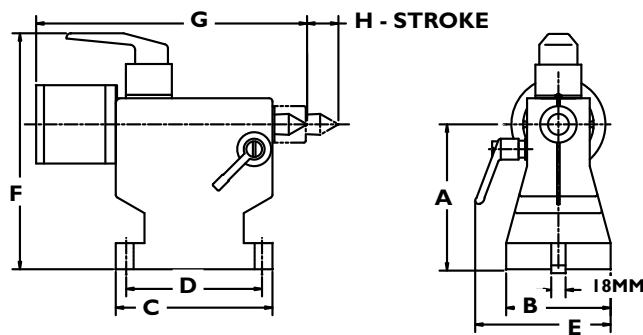
## Optional Outboard Supports:

- HOS-Series (hydraulic braking outboard support)
- POS-Series (pneumatic braking outboard support)
- OS-Series (plain bearing outboard support)
- FR-Series (free rotating rotary table)
- AHU (air over hydraulic unit for hos-series)

\* for additional information consult factory.



MODEL	A	B	C	D	E	F	G	H
TS-6.5	5188 [130.0]	4.50 [114]	6.31 [160]	5.12 [130]	6.50 [165]	7.38 [187]	11.63 [295]	1.25 [31]
TS-9	6.375 [161.9]	5.00 [127]	7.50 [191]	6.50 [165]	6.50 [165]	8.63 [219]	13.12 [333]	1.25 [31]
TS-10	7.000 [177.8]	5.00 [127]	7.50 [191]	6.50 [165]	6.50 [165]	9.25 [235]	13.12 [333]	1.25 [31]
TS-12	8.500 [215.9]	5.00 [127]	7.50 [191]	6.50 [165]	6.50 [165]	10.75 [273]	13.12 [333]	1.25 [31]
TS-15	10.000 [254.0]	5.00 [127]	7.50 [191]	6.50 [165]	6.50 [165]	13.25 [337]	13.12 [333]	1.25 [31]
TS-16.5	10.000 [254.0]	7.50 [190]	13.50 [343]	11.75 [298]	7.50 [191]	12.25 [311]	15.75 [400]	4.50 [114]
TS-20	13.000 [330.0]	7.50 [191]	13.50 [343]	11.75 [298]	8.25 [210]	15.25 [387]	15.75 [400]	4.50 [114]
TS-25	15.750 [400.0]	7.50 [191]	13.50 [343]	11.75 [298]	8.25 [210]	18.00 [457]	15.75 [400]	4.50 [114]

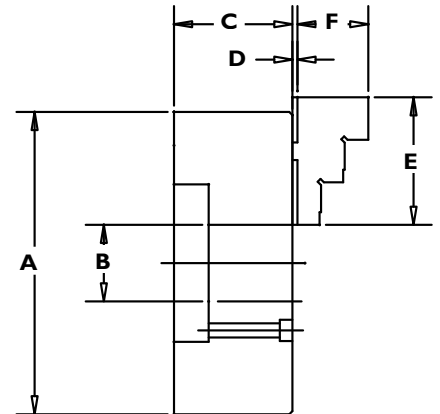


MODEL	A	B	C	D	E	F	G	H
PTS-T5C	4.75 [120]	3.00 [76]	7.00 [177]	5.75 [146]	3.75 [95]	6.75 [171]	11.75 [298]	2.75 [69]
PTS-6.5	5188 [130.0]	4.50 [114]	6.31 [160]	5.12 [130]	6.50 [165]	9.56 [243]	11.81 [300]	1.25 [31]
PTS-9	6.375 [161.9]	5.00 [127]	7.50 [191]	6.50 [165]	6.50 [165]	10.75 [273]	13.25 [337]	1.25 [31]
PTS-10	7.000 [177.8]	5.00 [127]	7.50 [191]	6.50 [165]	6.50 [165]	11.75 [298]	13.25 [337]	1.25 [31]
PTS-12	8.500 [215.9]	5.00 [127]	7.50 [191]	6.50 [165]	6.50 [165]	12.88 [327]	13.25 [337]	1.25 [31]
PTS-15	10.000 [254.0]	5.00 [127]	7.50 [191]	6.50 [165]	6.50 [165]	14.38 [365]	13.25 [337]	1.25 [31]
PTS-16.5	10.000 [254.0]	7.50 [191]	13.50 [343]	11.75 [298]	7.50 [191]	11.38 [289]	16.50 [419]	4.50 [114]
PTS-20	13.000 [330.0]	7.50 [191]	13.50 [343]	11.75 [298]	8.25 [210]	15.87 [405]	16.50 [419]	4.50 [114]
PTS-25	15.750 [400.0]	7.50 [191]	13.50 [343]	11.75 [298]	8.25 [210]	18.63 [473]	16.50 [419]	4.50 [114]

Contact Troyke for complete line of  
 Fixturing and Workholding Options

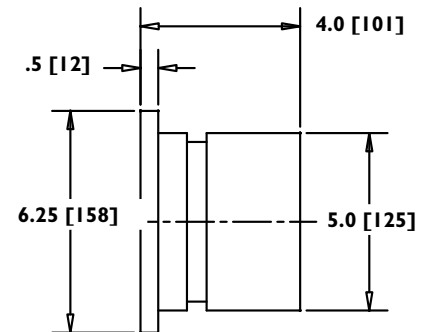
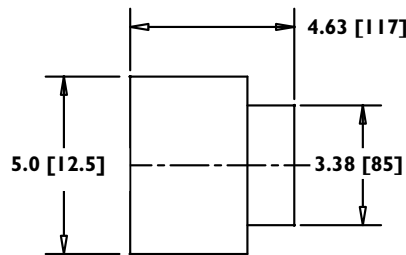
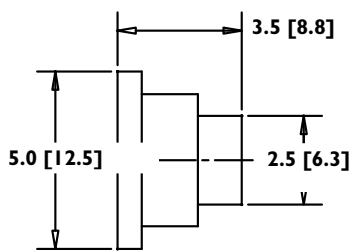
## MANUAL 3 JAW CHUCKS

(4 AND 6 JAW  
 CHUCKS AVAILABLE)



MODEL	A	B	C	D	E	F
CK-6	6.00 [152]	1.520 [38]	2.35 [59]	.10 [2]	2.53 [64]	1.40 [35]
CK-8	8.25 [209]	2.257 [57]	3.12 [79]	.17 [4]	3.56 [90]	1.87 [47]
CK-10	10.00 [254]	2.810 [71]	3.50 [88]	.16 [4]	3.75 [95]	2.37 [60]
CK-12	12.00 [304]	3.257 [82]	4.00 [101]	.16 [4]	4.37 [111]	2.37 [60]
CK-15	15.00 [381]	4.250 [107]	5.78 [146]	.28 [7]	5.54 [140]	3.27 [83]
CK-18	18.00 [457]	5.025 [127]	5.78 [146]	.28 [7]	5.54 [140]	3.27 [83]
CK-21	21.00 [533]	7.025 [178]	6.25 [158]	.28 [7]	5.54 [140]	3.27 [83]
CK-24	24.00 [609]	7.025 [178]	6.53 [165]	.25 [6]	5.54 [140]	3.27 [83]

## MANUAL AND PNEUMATIC COLLET FIXTURES



P5C-5



M3J-5 OR  
 MI6C-5



P5C-5