

MODEL SC-60 CONTROL (M-165, M-230, M-250, M-300, OR M-400)

Features:

- Simple menu driven commands and soft keys
- LCD Display (position, program, parameters)
- Line repeat, line jump and sub-program call commands
- Absolute and incremental program modes
- Rapid traverse and feed rate modes
- MDI mode capability (manual data input)
- Two keypads for program and parameter entry and editing
- Emergency stop and cycle start pushbuttons
- RS-232 communications port (upload, download & dnc)
- M-function interface capability (cable included) see print
- Backlash compensation (parameter setting)
- Battery backed memory (298 lines of program space) (999 lines of program space / 10 programs - sc-60)
- Control box enclosure size: length 4.38" [111] x width 11.81" [300] x height 13" [330] sc-60
- For other available controls consult factory



SC-60 SINGLE AXIS CONTROLLER



New from Troyke

M Series Rotary Tables



troyke^o TS Series - Tailstock

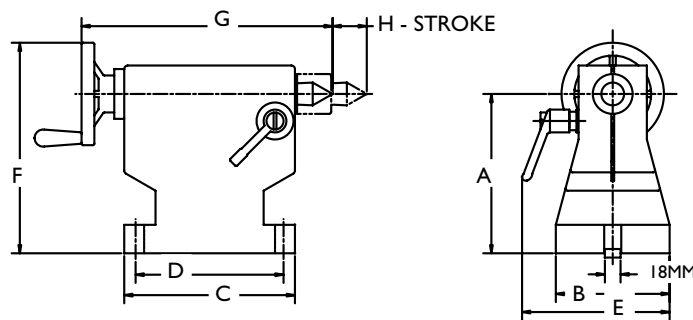
Features:

- Removeable dead center
- #3 morse taper on models TS-5c, 6.5, 9, 10, 12 and 15
- #5 morse taper on models TS-16.5, 20 and 25
- Left hand or right hand locking handle position
- 4 way - 2 position pneumatic valve (pts- model only)
- Spindle oilers on all models
- Matched center height to mating table

Optional Outboard Supports:

- HOS-Series (hydraulic braking outboard support)
- POS-Series (pneumatic braking outboard support)
- OS-Series (plain bearing outboard support)
- FR-Series (free rotating rotary table)
- AHU (air over hydraulic unit for hos-series)

* for additional information consult factory



TS-10

MODEL	A	B	C	D	E	F	G	H
TS-6.5	5.188 [130.0]	4.50 [114]	6.31 [160]	5.12 [130]	6.50 [165]	7.38 [187]	11.63 [295]	1.25 [31]
TS-9	6.375 [161.9]	5.00 [127]	7.50 [191]	6.50 [165]	6.50 [165]	8.63 [219]	13.12 [333]	1.25 [31]
TS-10	7.000 [177.8]	5.00 [127]	7.50 [191]	6.50 [165]	6.50 [165]	9.25 [235]	13.12 [333]	1.25 [31]
TS-12	8.500 [215.9]	5.00 [127]	7.50 [191]	6.50 [165]	6.50 [165]	10.75 [273]	13.12 [333]	1.25 [31]
TS-15	10.000 [254.0]	5.00 [127]	7.50 [191]	6.50 [165]	6.50 [165]	13.25 [337]	13.12 [333]	1.25 [31]
TS-16.5	10.000 [254.0]	7.50 [190]	13.50 [343]	11.75 [298]	7.50 [191]	12.25 [311]	15.75 [400.]	4.50 [114]
TS-20	13.000 [330.0]	7.50 [191]	13.50 [343]	11.75 [298]	8.25 [210]	15.25 [387]	15.75 [400]	4.50 [114]
TS-25	15.750 [400.0]	7.50 [191]	13.50 [343]	11.75 [298]	8.25 [210]	18.00 [457]	15.75 [400]	4.50 [114]

troyke^o
changing the degree of accuracy

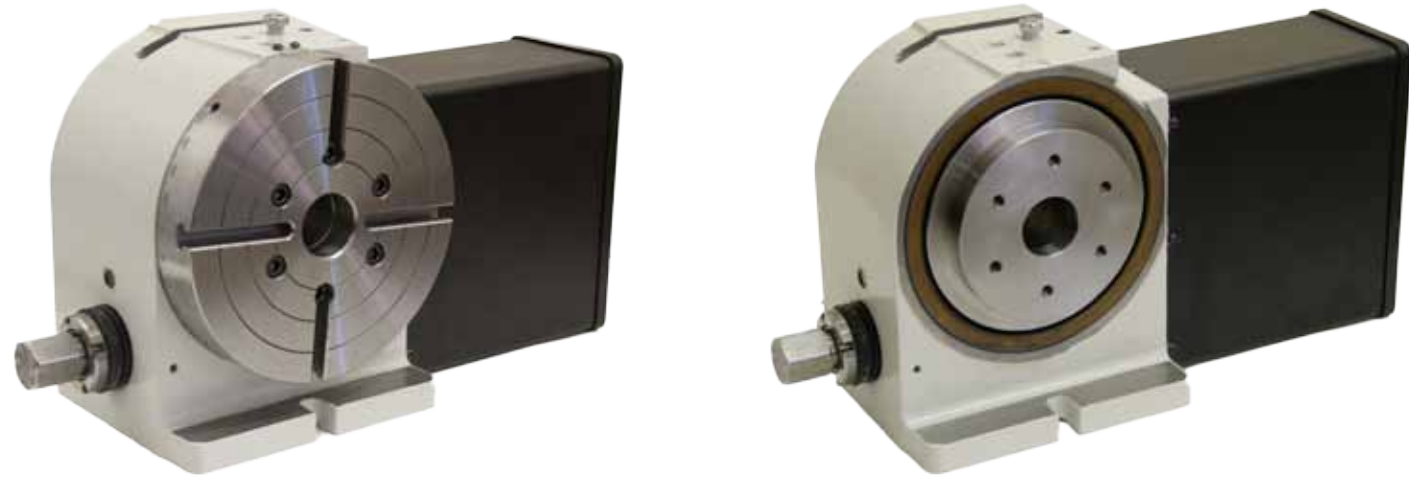
A work of art... and function.

Our rotary tables are customizable to perfectly match your specification. Outstanding performance combined with immediate customer service response guarantees minimal to zero outages. Our rotary tables will help you meet your production goals.

Technitron

Integration Services
www.technitron.com

3980 Webster Avenue Cincinnati, OH 45212 Phone: 513.531.2926 info@technitron.com



SERVOMOTORS

Model	M-165	M-230	M-250	M-300	M-400
FANUC	alpha 4i			alpha 8i	
YASKAWA	SGMSGH-05	SGMGH-09	SGMGH-13		

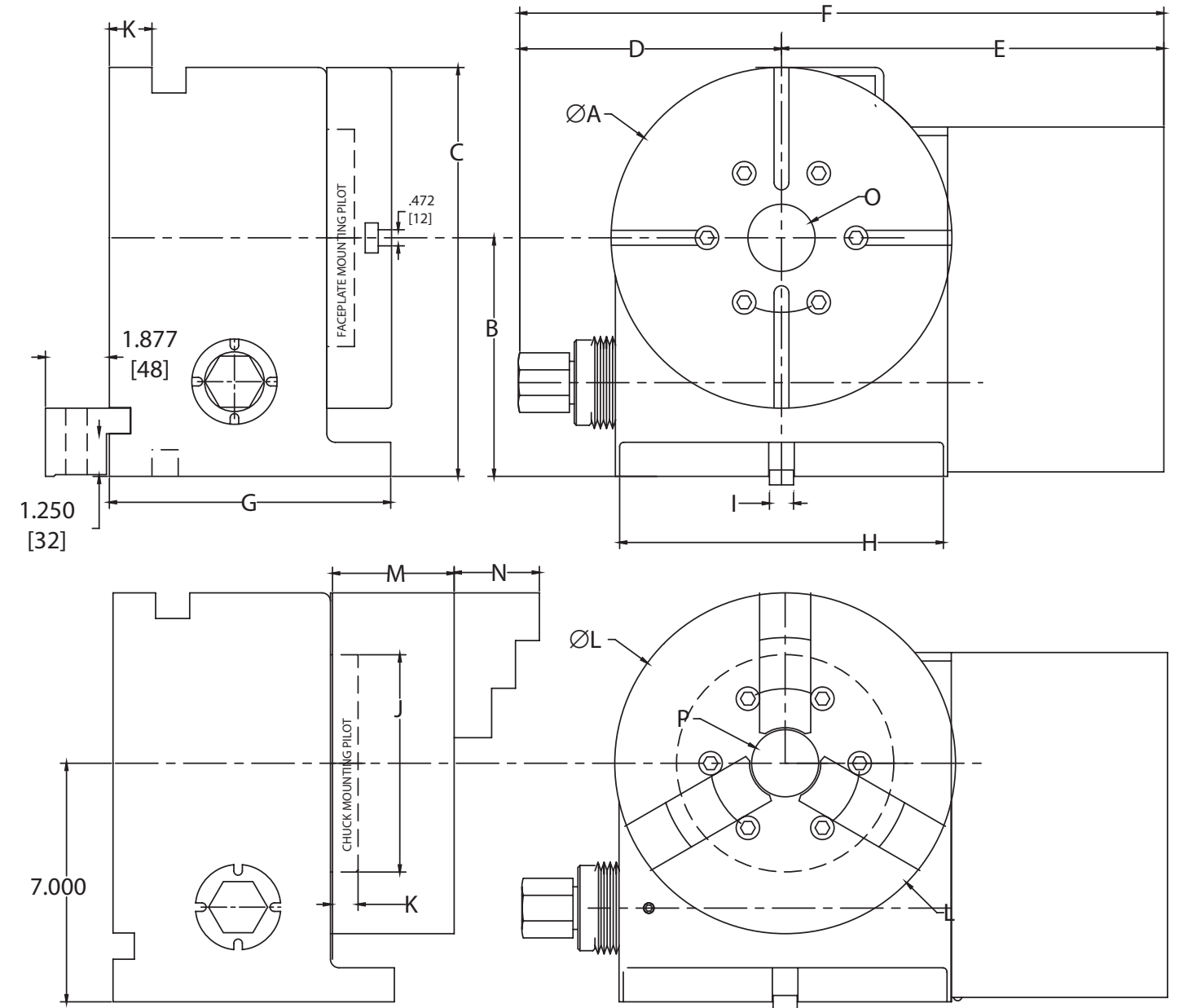
Other Servomotors available: Siemens, Mitsubishi, Baldor

FEATURES

- Totally Sealed
- Quick switch from faceplate to chuck
- Dual lead wormshaft for easy backlash adjustment
- Phosphor bronze wormwheel and hardened steel wormshaft running in bath of oil
- High torque pneumatic clamping
- Quiet (Servomotor coupled directly to wormshaft)
- Custom faceplates (ballock) available
- 3 jaw universal, and 4 jaw independent chucks available

SPECIFICATIONS

Model	M-165	M-230	M-250	M-300	M-400
Gear Ratio	60:1	72:1	90:1	120:1	100:1
Angular Accuracy Standard	60 sec.	40 sec.	30 sec.	30 sec.	30 sec.
Heidenhain Encoder	+/- 5 sec. or +/- 2.5 sec.				
Vertical Load Capacity lb [n]	75 [333]	125 [555]	300 [1332]	300 [1332]	1,000 [4440]
Horizontal Load Capacity lb [n]	150 [666]	150 [666]	400 [1776]	400 [1776]	1,500 [6660]
Cont. Torque in lbs [nm]	750 [85]	1800 [203]	3600 [406]	4600 [520]	5100 [565]
Brake Method	Pneumatic				
Brake Holding Torque	260 nm	274 nm	411 nm	550 nm	822 nm
Table Face					
Total Runout	.0005" .013 mm				
Center Hole	.0005" .013 mm				
Center Hole Diameter	30 mm 1.181 in	54 mm 2.125 in	50 mm 1.984 in		
Speed Range	0-60 rpm	0-55 rpm	0-44 rpm	0-33 rpm	0-30 rpm
Table Weight lb [n]	120 [535]	150 [665]	225 [1000]	285 [1265]	440 [1954]
Ship Weight	170 [754]	210 [952]	260 [1155]	235 [1043]	510 [2265]



DIMENSIONS

MODEL		A	B	C	D	E	F	G	H	I	J	K	L	M	N	O	P
M-165 ①	mm	165	130	212.5	133	280	413	159	180	18	79	16.5	152	60	39	30	39
	in	6.5	5.118	8.37	5.25	11	16.25	6.25	7.2	.708	3.1	.65	6.0	2.35	1.50	1.181	1.54
M-230 ②	mm	29	162	276.5	182.4	310	492	183	228	18	114	18.3	210	80	53	54	60
	in	9.0	6.375	10.9	7.181	12.3	19.38	7.2	9.00	.708	4.5	.72	8.25	3.15	2.1	2.125	2.346
M-250 ②	mm	254	178	305	196	355	196	210	248	18	161	21	254	86	66	50	73
	in	10.0	7.00	12.00	7.73	14	7.73	8.25	9.75	.708	6.35	.82	10.00	3.4	2.58	1.984	1.984
M-300 ③	mm	305	215.9	368	209	406	615	200	308	18	200	21.8	305	102	66	50	83
	in	12.00	8.500	14.5	8.23	16	24.23	7.80	12.125	.708	7.87	.86	12.0	4.0	2.58	1.984	3.285
M-400 ④	mm	406	254	457	292	254	546	190	406	18	298	29.2	380	147	90	50	108
	in	16.50	10.00	18.00	11.5	10.0	21.5	7.50	16	.708	11.75	1.15	15	5.78	3.55	1.984	4.25