

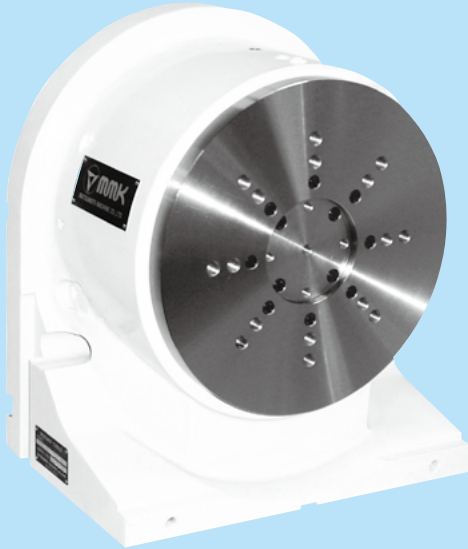
# DD TYPE • DDAT TYPE

Using Direct Drive Motor

# Direct Drive Table

- High Responsivity ☆ High Speed ☆ High Accuracy
- Simple structure without speed reducer

## DD TYPE (1axis)



- DD166
- DD306

- DDAT506

## DDAT TYPE (2-axis)



Note: Rotary scale is attached to DD type.

### Specifications

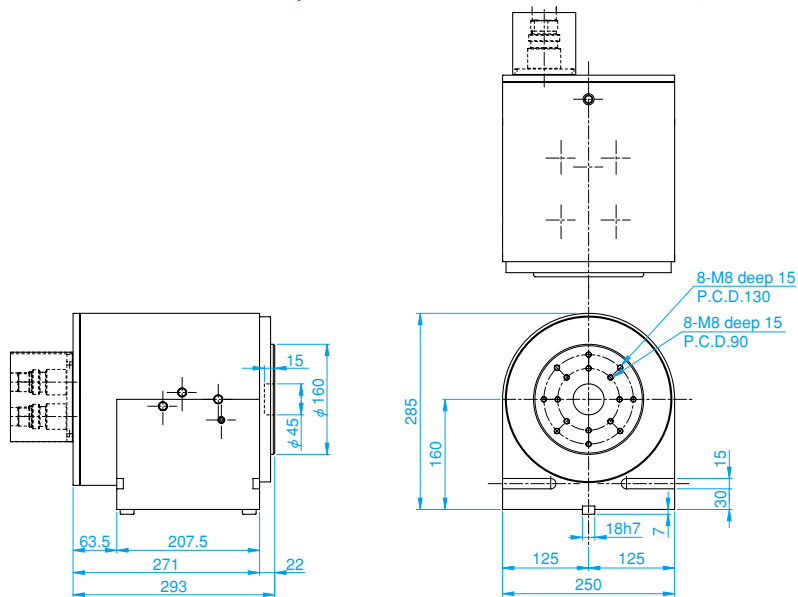
Item	Model	Unit	DD166	DD306
Table Diameter		mm	160	300
Vertical Center Height		mm	160	170
Horizontal Center Height		mm	****	****
Through Hole		mm	****	****
T Slot Width		mm	****	****
Guide Block Width		mm	18h7	18h7
Servo Motor (FANUC*)			Dis85/400	Dis370/300
Gear Ratio			****	****
Max. R.P.M		min <sup>-1</sup>	100	100
Motor R.P.M		min <sup>-1</sup>	100	100
Min. Indexing Unit		deg.	0.001	0.001
Indexing Accuracy		sec.	8	8
Repeatability		sec.	± 2	± 2
Clamping Torque		N-m	****	****
Clamping Pressure		Mpa	****	****
Permissible Machining Torque of Wheel		N-m	****	****
Weight		kg	220	110
Permissible Load		kg	****	****
		kg	30	200
Max. Machining Force at Clamping		N	16000	30700
		Nm	1060	2900
		Nm	35	150
Permissible Work Inertia		kg m <sup>2</sup>	0.09	5

### Specifications

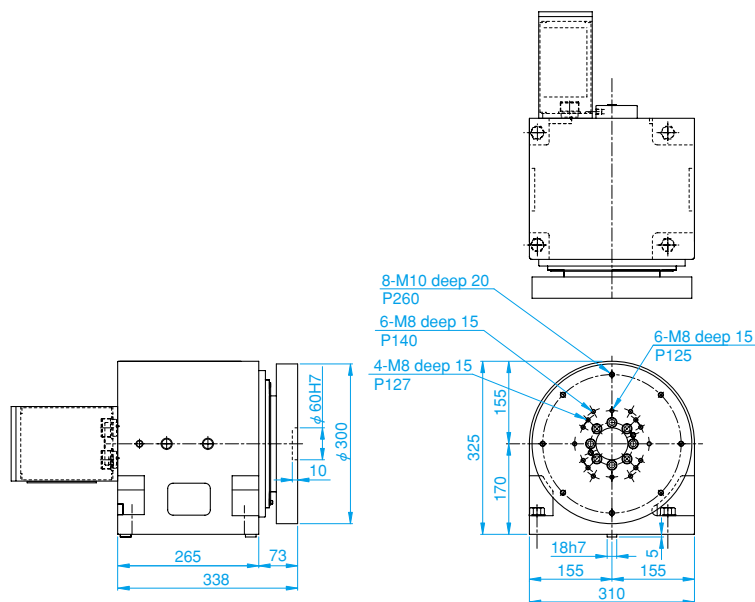
Item	Model	Unit	DDAT506
Table Diameter		mm	500
Tilting Axis Center Height		mm	300
Table Height in Horizontal		mm	340
Through Hole		mm	****
T Slot Width		mm	14H7
Servo Motor (FANUC*)	Rotary Axis		Dis800/250
	Tilting Axis		Dis1500/200
Gear Ratio	Rotary Axis		****
	Tilting Axis		****
Max. R.P.M	Rotary Axis	min <sup>-1</sup>	125
	Tilting Axis	min <sup>-1</sup>	25
Motor R.P.M	Rotary Axis	min <sup>-1</sup>	125
	Tilting Axis	min <sup>-1</sup>	25
Min. Indexing Unit	Rotary Axis	deg.	0.001
	Tilting Axis	deg.	0.001
Indexing Accuracy	Rotary Axis	sec.	12
	Tilting Axis	sec.	15
Repeatability	Rotary Axis	sec.	± 2
	Tilting Axis	sec.	± 2
Clamping Torque	Rotary Axis	N-m	4312
	Tilting Axis	N-m	4312
Permissible Machining Torque of Wheel		N-m	****
Weight		kg	1450
Permissible Load		kg	500
Permissible Work Inertia		kg m <sup>2</sup>	22.5

\*Application for other motors, Meltas, Yasukawa, Siemens etc.

● DD166



● DD306



● DDAT506

