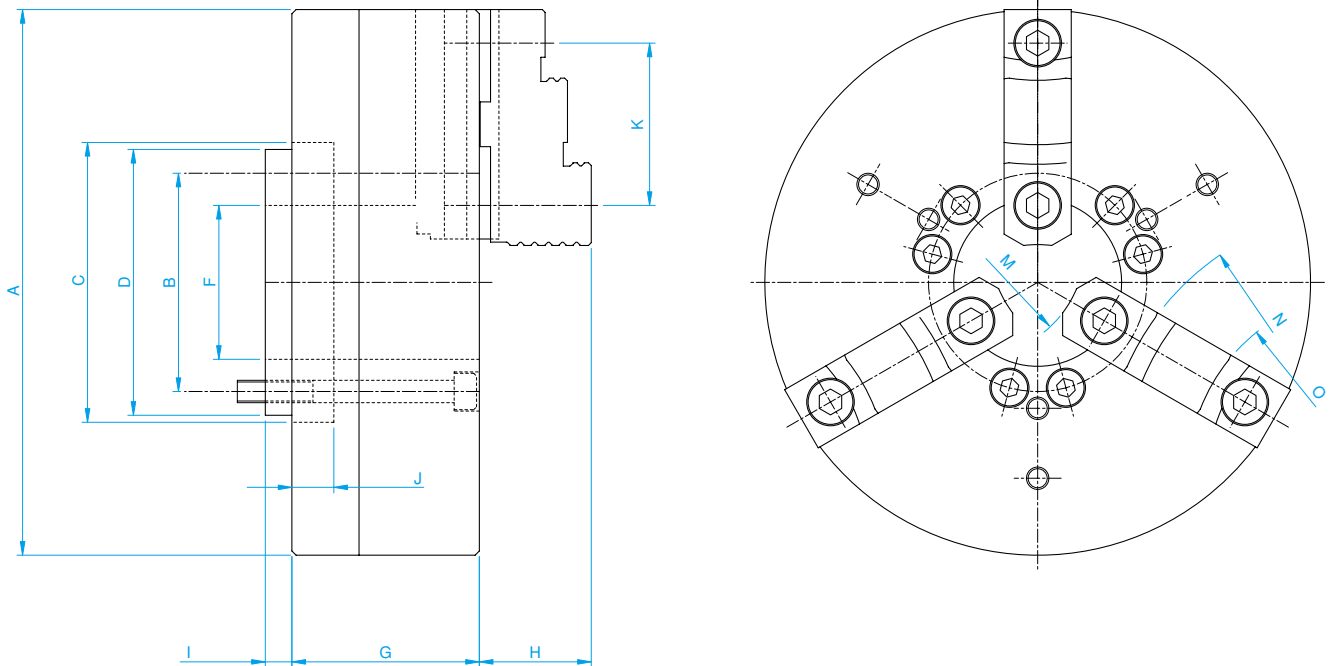
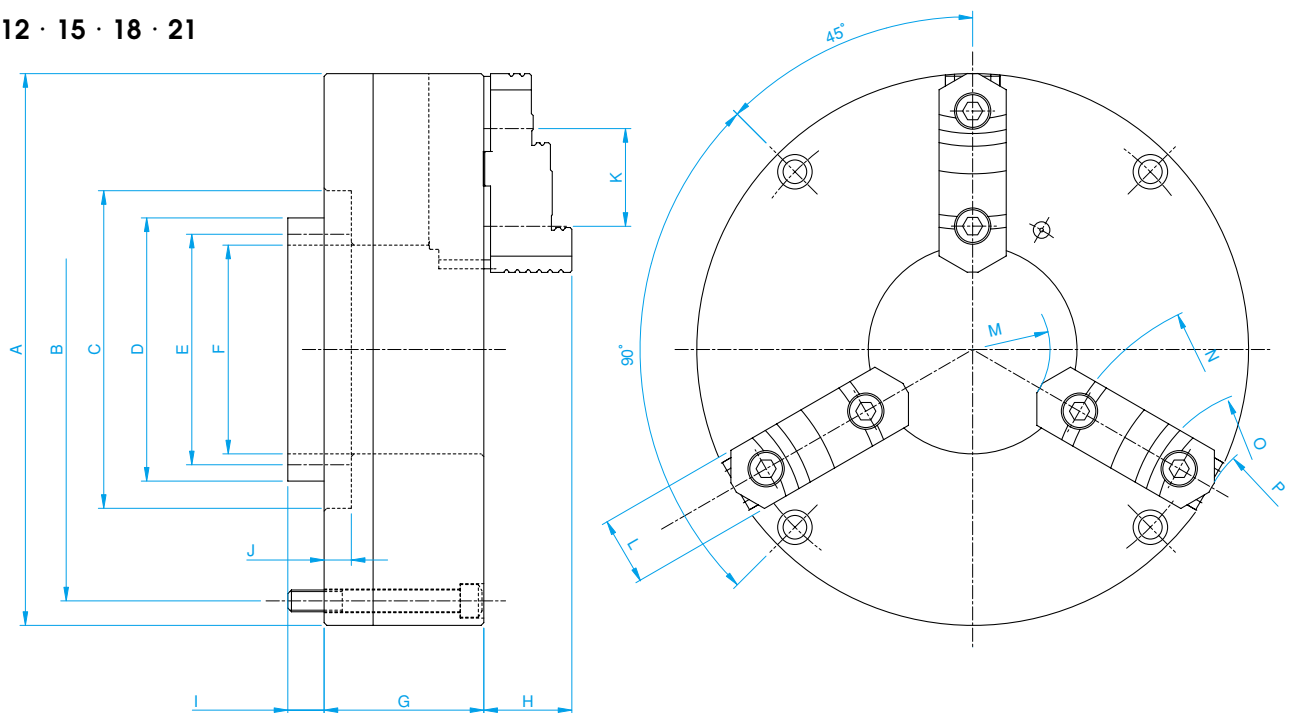


Scroll Chuck-Manual Type (M · RS)

● M6 · M8



● RS12 · 15 · 18 · 21

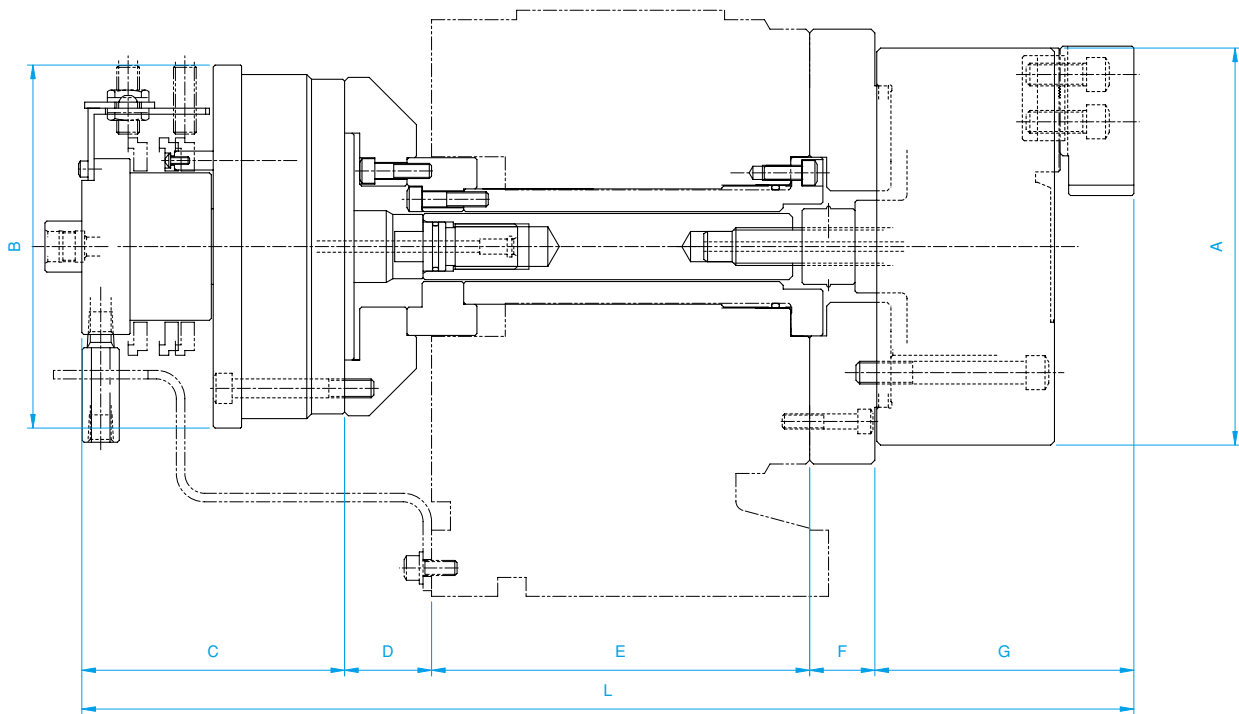


Model	Weight	A	B	C	D	E	F	G	H	I	J	K	L	M	N	O	P
M6	8.5	165	58	80	95	—	40	65	38	15.5	10	42	24	φ 4 ~ φ 55	φ 60 ~ φ 101	φ 43 ~ φ 94	—
M8	13.5	195	78	100	95	—	60	67	60	10.5	15	58	24	φ 10 ~ φ 80	φ 125 ~ φ 190	φ 65 ~ φ 130	—
RS12	48	304	277	175	145	127	115	88	48.8	20	15	63.4	37	φ 66 ~ φ 150	φ 247 ~ φ 331	φ 155 ~ φ 239	φ 75 ~ φ 159
RS15	80	381	346	240	200	182	170	102	59.9	20	15	76.2	45	φ 102 ~ φ 183	φ 302 ~ φ 383	φ 206 ~ φ 286	φ 110 ~ φ 191
RS18	116	457	424	240	200	182	170	106.3	59.9	20	15	76.2	45	φ 127 ~ φ 183	φ 302 ~ φ 450	φ 214 ~ φ 362	φ 110 ~ φ 191
RS21	190	533	495	310	295	275	254	144.5	77	27.5	15	80	55	φ 204 ~ φ 292	φ 380 ~ φ 438	φ 300 ~ φ 388	—

Specifications

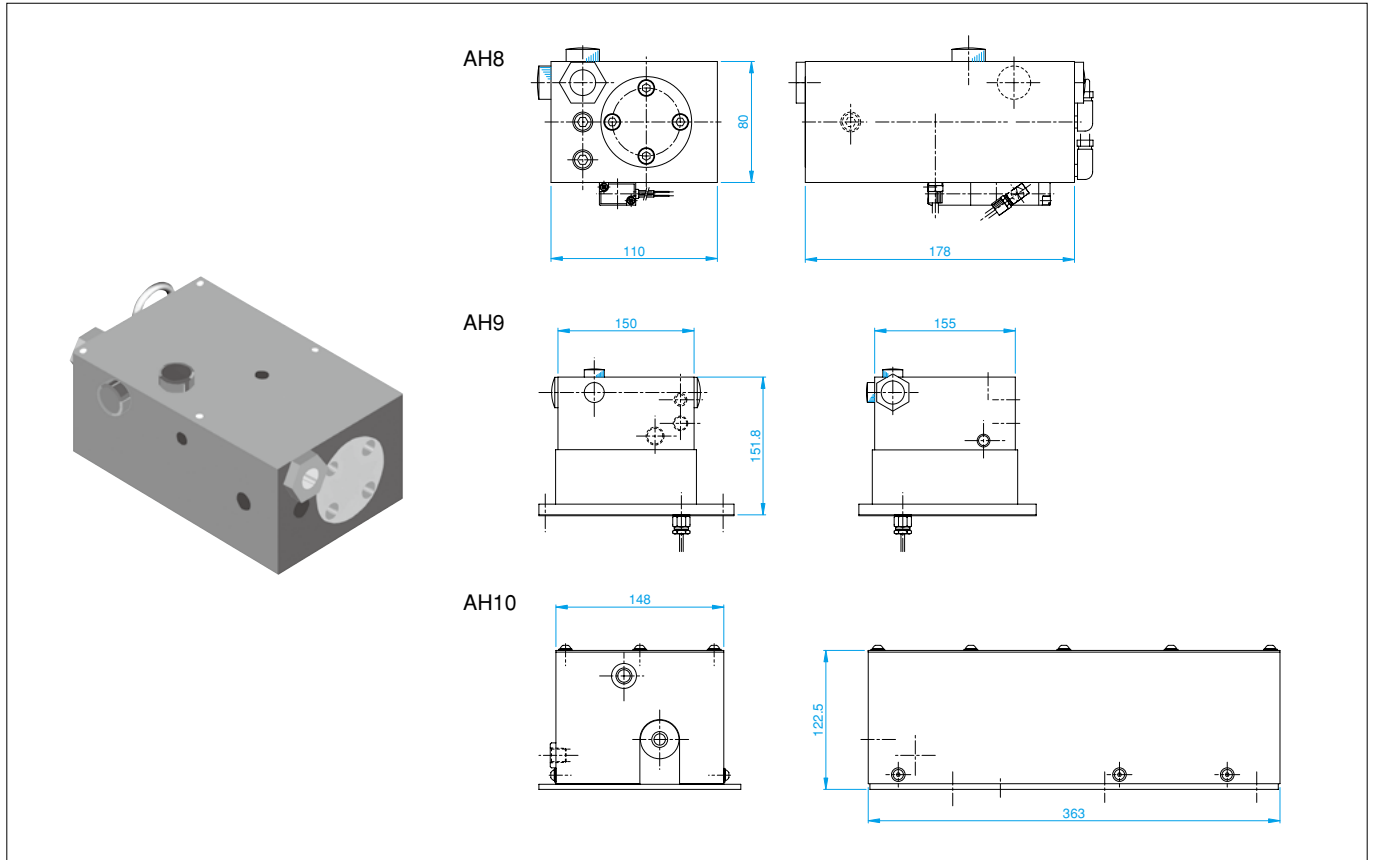
Table Diameter	Type	Manual		Hydraulic		
		Model	Size	Model	Size	Cylinder
φ 230		M6	165	Z 6	165	RNKP 105 - 15
		M8	195	Z 8	210	RNKP 120 - 25
φ 325		M8	195	Z 10	254	RNKP 135 - 20
		RS12	304	Z 12	305	RNKP 200 - 35
φ 400		RS15	381	Z 15	381	RNKP 200 - 35
φ 500		RS18	457	Z 18	457	RNKP 200 - 35
φ 630		RS21	533	HH21	533	RNKP 200 - 35

Power Chuck-Hydraulic Type (Z·HH)



Model	Stroke of Jaw	A	B	C	D	E	F	G	L
Z 6 × RNKP 105 - 15	φ 5.8	165	175	130	35	200	25	107	497
Z 8 × RNKP 120 - 25	φ 7.6	210	210	130	35	200	25	136	526
Z 10 × RNKP 135 - 20	φ 9	254	225	139	35	220	30	152	576
Z 12 × RNKP 200 - 35	φ 9	305	250	260.5	48	220	35	174	737.5
Z 15 × RNKP 200 - 35	φ 11.3	381	250	260.5	48	290	35	210	843.5
Z 18 × RNKP 200 - 35	φ 11.3	457	250	260.5	48	290	35	210	843.5
HH21 × RNKP 200 - 35	φ 12	533	250	260.5	48	290	35	245.8	879.3

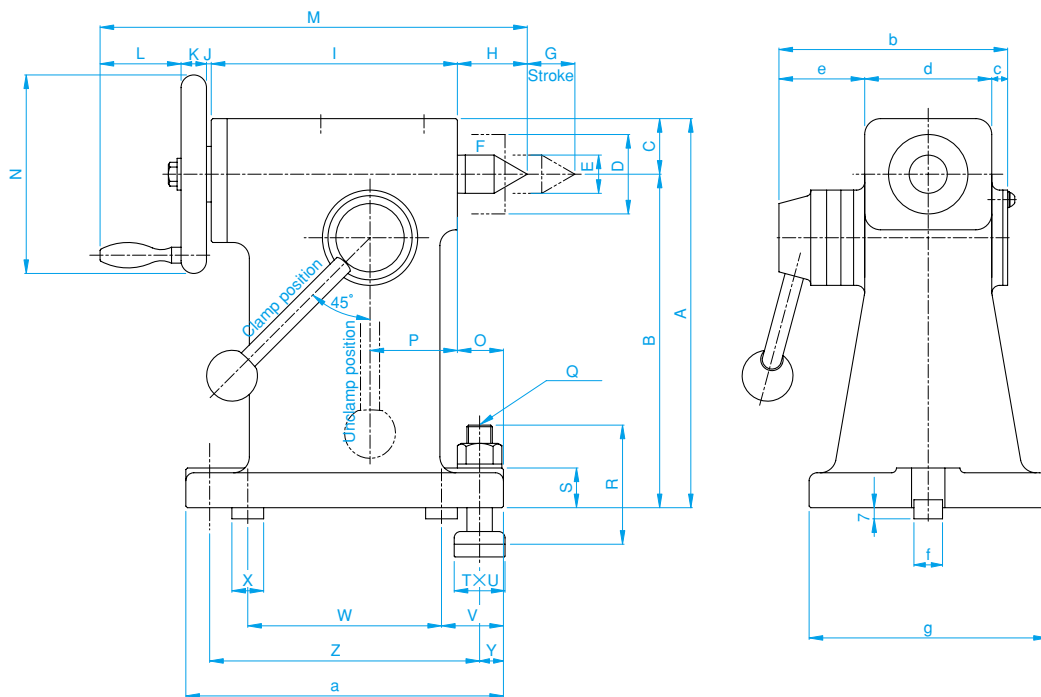
Air-Hydraulic-Unit (AH)



Technitron

Integration Services
www.technitron.com

Tail Stock-Manual Type (TC·THC)



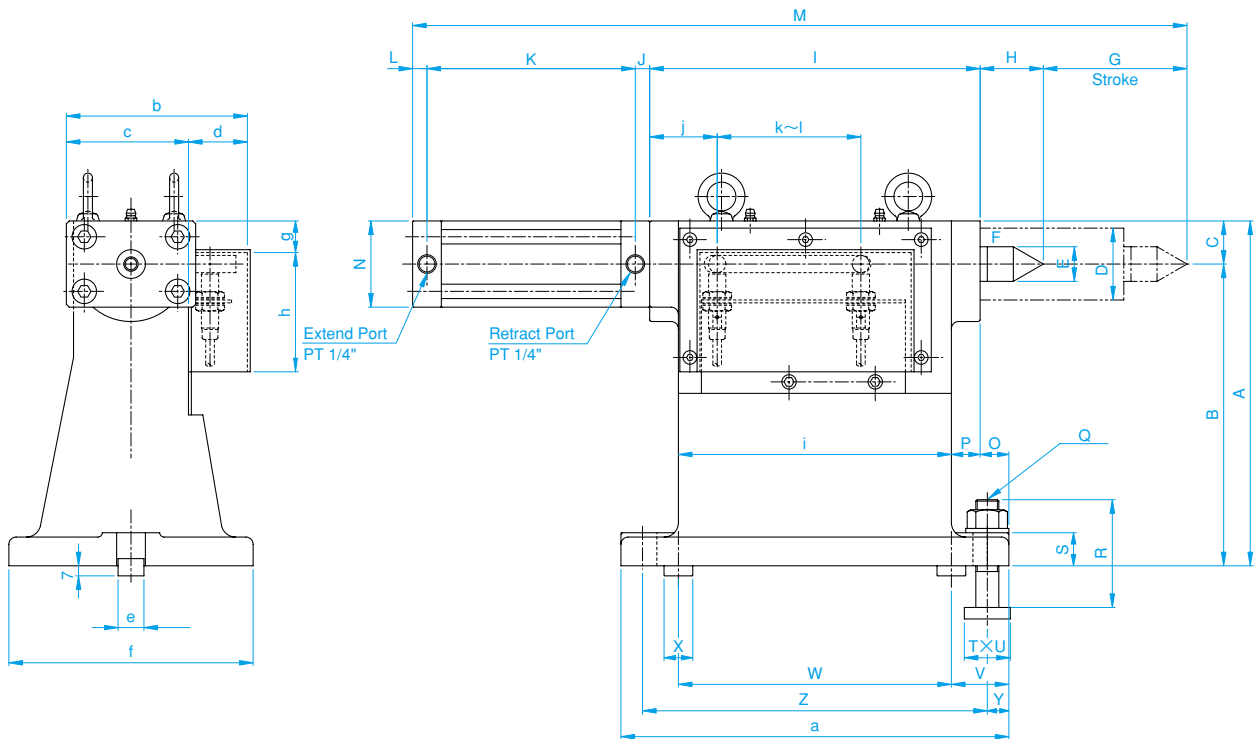
Model	A	B	C	D	E	F	G	H	I	J	K	L	M	N	O	P	Q	R	S	T	U
THC200	220	185	35	φ 50	φ 24.1	MT# 3	30	44	155	2	17	51	269 ~299	φ 125	29	55	M16	75	25	32	27
TC300	245	210	35	φ 50	φ 24.1	MT# 3	30	44	155	2	17	51	269 ~299	φ 125	29	55	M16	75	25	32	27
THC300	270	235	35	φ 50	φ 24.1	MT# 3	30	44	155	2	17	51	269 ~299	φ 125	29	55	M16	75	25	32	27
TC400	300	255	45	φ 65	φ 31.6	MT# 4	60	52.5	215	2	20	64	353.5 ~413.5	φ 140	20	75	M16	75	30	32	27
TC500	325	280	45	φ 65	φ 31.6	MT# 4	60	52.5	215	2	20	64	353.5 ~413.5	φ 140	20	75	M16	75	30	32	27
TC600	460	400	60	φ 80	φ 44.7	MT# 5	65	70.5	300	8	18	83	479.5 ~544.9	φ 160	15	100	M20	100	40	40	30

Model	V	W	X	Y	Z	a	b	c	d	e	f	g	Applicable Model
THC200	39	122	20	15	170	200	144	10	80	54	18h7	150	MDH233
TC300	39	122	20	15	170	200	144	10	80	54	18h7	150	MD323
THC300	39	122	20	15	170	200	144	10	80	54	18h7	150	MDH323
TC400	39	172	20	15	220	250	160	8	100	52	18h7	180	MD403
TC500	39	172	20	15	220	250	160	8	100	52	18h7	180	MD503
TC600	50	215	20	20	275	315	191	8	125	58	22h7	300	MD630

Tail Stock-Hydraulic Type (TP•THP)

Specifications

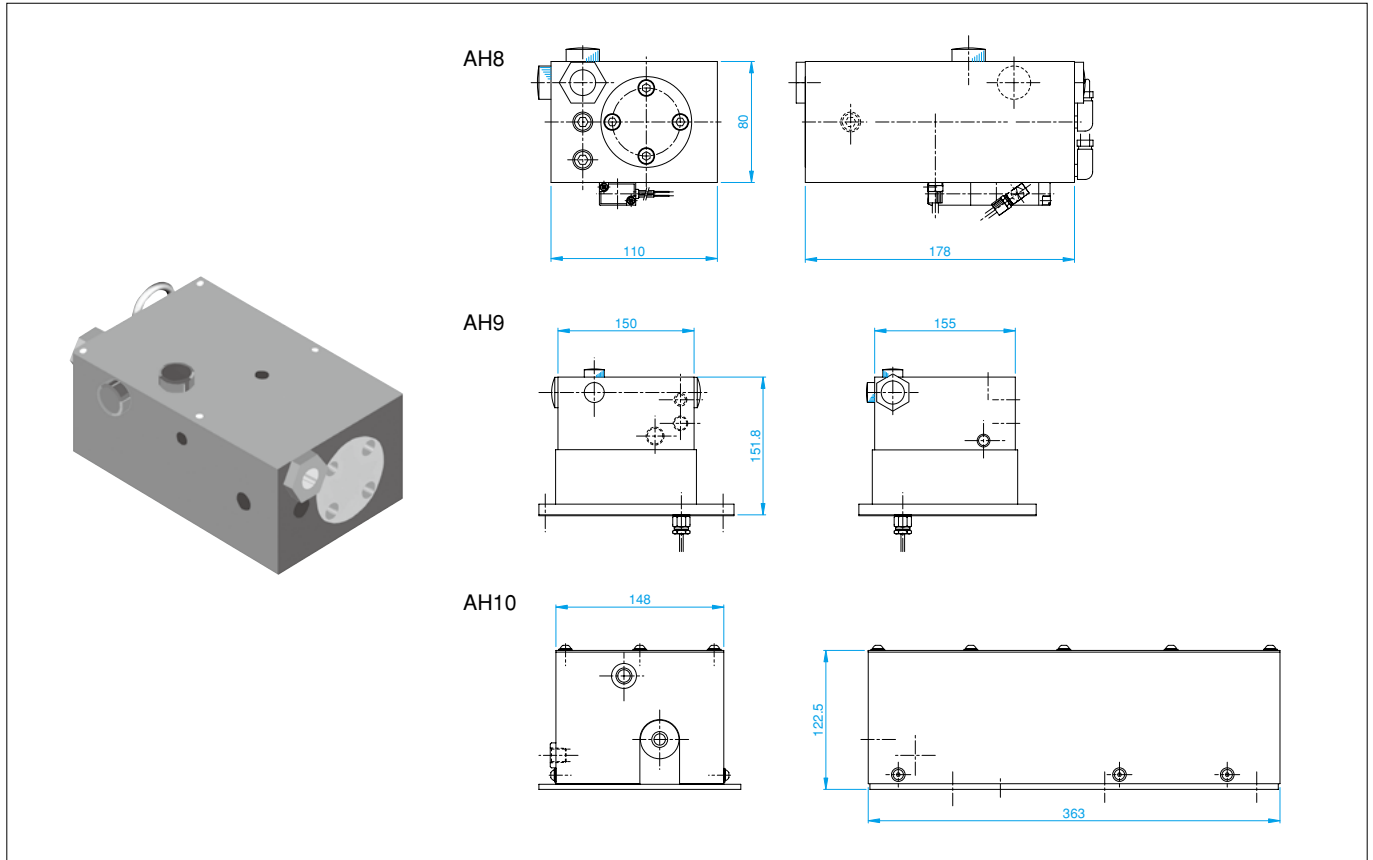
Item	Model	Unit	THP200	TP300	THP300	TP400	TP500
Max. Hydraulic Pressure		Mpa	4.9	4.9	4.9	4.9	4.9
Pressure Application Area		cm ²	19.5	19.5	19.5	32.4	32.4
Thrust Force at 1.96Mpa		KN	3.9	3.9	3.9	6.4	6.4
Oil Required		cc	200	200	200	410	410



Model	A	B	C	D	E	F	G	H	I	J	K	L	M	N	O	P	Q	R	S	T	U
THP200	215	185	30	φ 50	φ 24.1	MT# 3	100	44	230	10	145	10	439 ~ 539	60	20	20	2-M16	75	23	32	27
TP300	240	210	30	φ 50	φ 24.1	MT# 3	100	44	230	10	145	10	439 ~ 539	60	20	20	2-M16	75	23	32	27
THP300	265	235	30	φ 50	φ 24.1	MT# 3	100	44	230	10	145	10	439 ~ 539	60	20	20	2-M16	75	23	32	27
TP400	295	255	40	φ 65	φ 31.6	MT# 4	120	52.5	280	10	173	51	566.5 ~ 686.5	80	20	20	2-M16	75	25	32	27
TP500	320	280	40	φ 65	φ 31.6	MT# 4	120	52.5	280	10	173	51	566.5 ~ 686.5	80	20	20	2-M16	75	25	32	27

Model	V	W	X	Y	Z	a	b	c	d	e	f	g	h	i	j	k	l	Applicable Model
THP200	40	190	20	15	240	270	126	85	41	18h7	170	22	83	190	47	40	100	MDH233
TP300	40	190	20	15	240	270	126	85	41	18h7	170	22	83	190	47	40	100	MD323
THP300	40	190	20	15	240	270	126	85	41	18h7	170	22	83	190	47	40	100	MDH323
TP400	42.5	235	20	15	290	320	150	110	40	18h7	220	26	108	240	52	40	120	MD403
TP500	42.5	235	20	15	290	320	150	110	40	18h7	220	26	108	240	52	40	120	MD503

Air-Hydraulic-Unit (AH)



Technitron

Integration Services
www.technitron.com