

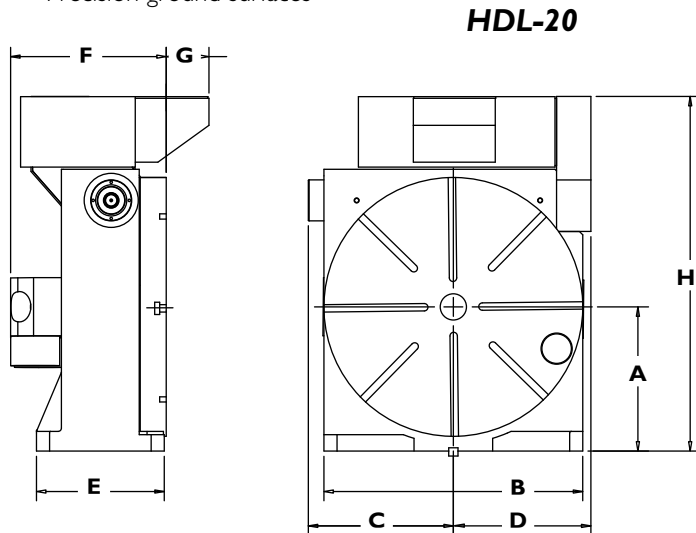
Vertical Mount only – for use on horizontal spindle machining centers

Standard Features:

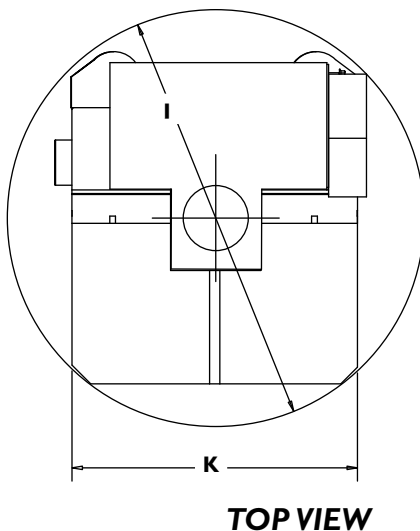
- 3 sizes (16.5", 20", and 25" table diameters)
- C907 bronze wormgear and hardened and ground worm running in a bath of oil
- High precision spindle bearings
- Turcite bearing surface
- Dual rack & pinion pneumatic brake
- Precision ground surfaces

Optional Features:

- Chucks - (Manual or Pneumatic)
- Tailstocks - (Manual or Pneumatic)
- Single axis programmable control
- Clamping outboard supports (Pneumatic or Hydraulic)
- Cables - for interfacing to machine tool
- Compatible with all standard servo motors
- Direct mount feedback (Heidenhain scale for accuracy up to +/- 2 arc seconds)



MODEL	A	B	C	D	E	F	G	H	J	K
HDL-16.5	10.00 [254]	17.25 [438]	11.00 [279]	10.50 [266]	12.25 [311]	11.75 [298]	3.31 [84]	26.06 [661]	28.82 [732]	19.68 [500]
HDL-20	11.00 [279]	19.75 [501]	11.00 [279]	10.50 [266]	12.25 [311]	11.75 [298]	3.31 [84]	27.06 [687]	28.82 [732]	19.68 [500]
HDL-25	13.50 [342]	22.50 [571]	13.50 [342]	13.00 [330]	12.25 [311]	11.75 [298]	3.31 [84]	29.56 [298]	33.82 [860]	25.59 [650]



SPECIFICATIONS				
MODEL		HDL-16.5	HDL-20	HDL-25
TURNTABLE DIAMETER	[MM]	16.50 [419]	20.00 [508]	25.00 [635]
STANDARD THRU HOLE DIA	[MM]	2.00 [50.8]	2.00 [50.8]	2.00 [50.8]
OVERSIZE THRU HOLE DIA	[MM]	6.35 [161.2]	10.250 [260]	10.250 [260]
VERTICAL LOAD CAPACITY	[KG]	1,000 [454]	2,000 [906]	2,000 [906]
FACEPLATE T-SLOT WIDTH	[MM]	.68 [17.2] X 8	.68 [17.2] X 8	.68 [17.2] X 8
STANDARD TOTAL GEAR RATIO		180:1	180:1	180:1
ALTERNATE TOTAL GEAR RATIO		360:1	360:1	360:1
MAX. SPEED RANGE (STD RATIO)		0-5	0-5	0-5
STD. CON. TORQUE	LBS-FT [NM]	375 [508]	750 [1017]	750 [1017]
BRAKE METHOD		PNEUMATIC	PNEUMATIC	PNEUMATIC
BRAKE TORQUE	LBS-FT [NM]	800 [1085]	800 [1085]	800 [1085]
PROGRAMMABLE RESOLUTION		.001 DEG.	.001 DEG.	.001 DEG.
STD. TOTAL ANGULAR ACCURACY		30 SEC.	20 SEC.	20 SEC.
STD. REPEATABILITY		10 SEC.	5 SEC.	5 SEC.
OPT. (H OR I) ANGLR. ACCURACY		+/-5 +/-3.6	+/-5 +/-3.6	+/-5 +/-3.6
OPT. (H OR I) REPEATABILITY		+/-2 +/-1	+/-2 +/-1	+/-2 +/-1
UNIT WEIGHT	LBS [KG]	1,350 [607]	1,450 [652]	
SHIP WEIGHT	LBS [KG]	1,500 [675]	1,600 [720]	