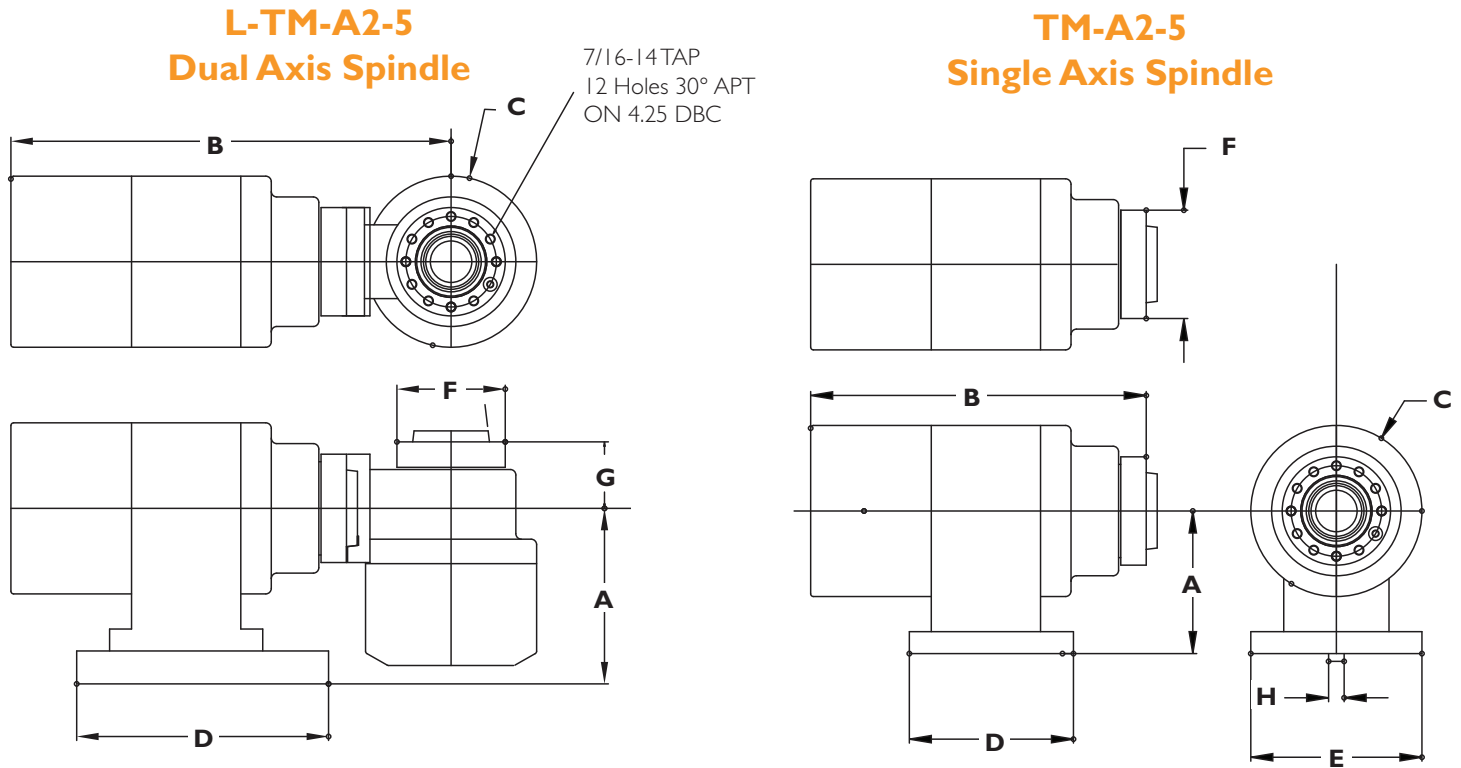


TROYKE Single and Dual Axis A2-5 Direct Drive Torque Motor Spindles



MODEL	A	B	C	D	E	F	G	H
L-TM-A2-5	8.00 [203]	20.0 [508]	7.8 [198]	11.5 [292]	7.8 [198]	4.94 [126]	3.03 [77]	0 [18MM]
TM-A2-5	6.50 [165]	15.3 [389]	7.8 [198]	7.5 [190]	7.8 [198]	4.94 [126]	—	0 [18MM]

Standard Features:

- Speed Ranges to 600 RPM*
- Load Capacity 50 lbs
- Resolution .001°
- Tilt Axis Range +/- 120°
- Position Feedback:
Renishaw RESM 209 Encoder Ring**
Fanuc Aicz Encoder Ring
Heidenhain RON & RCN Encoders
- Barden ABEC 7
Spindle Bearings

*Standard Torque Motors:

- ETEL TMB Series
- GE-Fanuc DIS Series
- Siemens 1FW6 Series
- Kollmorgen
- IDAM

Optional Accessories:

- Manual Chucks
- Collet Chucks
(5C and 16C)
- Faceplates
- Mandrels
- Controls
(Single and Dual Axis)