

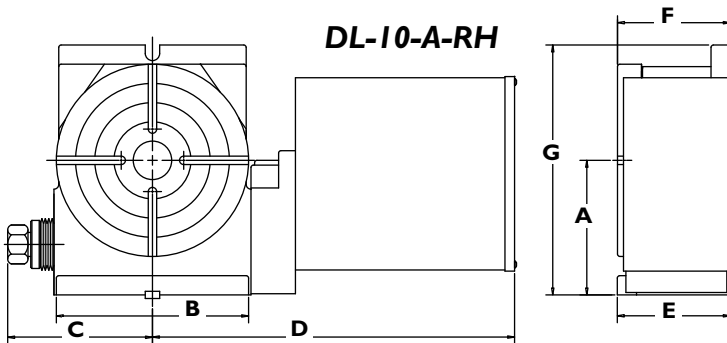
Horizontal or Vertical Mount

Standard Features:

- 8 sizes (6.5" - 25" table diameters)
- Dual lead wormset simplifies backlash adjustment
- C907 bronze worm gear and hardened and ground worm running in a bath of oil
- High precision spindle bearings
- Turcite bearing surface
- Internal pneumatic brake (16.5", 20", & 25" dual rack & pinion)
- Precision ground surfaces

Optional Features:

- Chucks - (Manual or Pneumatic)
- Collet fixtures - (Manual or Pneumatic)
- Tailstocks - (Manual or Pneumatic)
- Single Axis programmable control
- Clamping outboard supports (Pneu. or Hyd.)
- Ball lock™ sub plate and fixture plate
- Cables - for interfacing to machine tool
- Compatible with all standard servo motors
- Oversize thru hole
- Direct mount feedback (Heidenhain scale for accuracy up to +/- 2 arc seconds)



MODEL	A	B	C	D*	E	F	G
DL-6.5-A*1	5.118 [130.0]	7.50 [191]	5.25 [133]	19.38 [492]	5.50 [140]	N/A	11.81 [300]
DL-9-A	6.375 [161.9]	9.50 [241]	6.43 [163]	20.37 [517]	5.00 [127]	3.81 [97]	11.31 [287]
DL-10-A	7.000 [177.8]	10.25 [260]	7.56 [192]	22.50 [517]	5.62 [143]	5.87 [149]	13.00 [330]
DL-12-A	8.500 [215.9]	12.00 [305]	8.56 [217]	23.50 [596]	6.00 [152]	6.18 [157]	15.00 [381]
DL-15-A	10.000 [254.0]	14.87 [378]	10.00 [254]	25.56 [649]	6.00 [152]	6.18 [157]	18.00 [457]
DL-16.5-A*1	10.000 [254.0]	17.25 [438]	11.50 [291]	11.75 [298]	9.25 [234]	N/A	18.50 [469]
DL-20-A	12.000 [304.8]	21.00 [533]	13.06 [332]	25.25 [641]	7.87 [200]	7.93 [201]	21.87 [556]
DL-25-A	14.750 [374.6]	21.00 [533]	13.06 [332]	25.25 [641]	7.87 [200]	7.93 [201]	27.38 [695]

SPECIFICATIONS								
MODEL	DL-6.5-A	DL-9-A	DL-10-A	DL-12-A	DL-15-A	DL-16.5-A	DL-20/25-A	
TURNTABLE DIAMETER [MM]	6.50 [165]	9.00 [229]	10.00 [254]	12.00 [304]	15.00 [381]	16.500 [419]	20.00 [508]	
STANDARD THRU HOLE DIA [MM]	1.181 [30.0]	1.181 [30.0]	1.968 [50.0]	1.968 [50.0]	1.968 [50.0]	6.350 [161.2]	2.000 [50.8]	
OVERSIZE THRU HOLE DIA [MM]	N/A	N/A	3.000 [76.2]	4.125 [104.8]	4.125 [104.8]	N/A	10.250 [260.4]	
MAXIMUM THRU HOLE DIA [MM]	N/A	N/A	4.50 [143.0]*1	6.100 [154]*2	6.00 [152.4]	N/A	12.500 [317.5]*2	
HORIZONTAL LOAD CAPACITY [KG]	N/A	150 [68]	800 [363]	800 [363]	800 [363]	N/A	4000 [1818]	
VERTICAL LOAD CAPACITY [KG]	75 [34]	100 [45]	300 [136]	300 [136]	300 [136]	1,000 [454]	2000 [909]	
FACEPLATE T-SLOT WIDTH [MM]	.47 [12] X 4	.47 [12] X 4	.47 [12] X 4	.47 [12] X 8	.63 [16] X 8	.63 [16] X 8	.56 [14.2] X 8	
STANDARD TOTAL GEAR RATIO	90:1	180:1	180:1	180:1	180:1	180:1	180:1	
ALTERNATE TOTAL GEAR RATIO	120:1	360:1	360:1	360:1	360:1	360:1	360:1	
MAX. SPEED RANGE (STD RATIO)	0-22 RPM	0-10 RPM	0-10 RPM	0-10 RPM	0-10 RPM	0-10 RPM	0-10 RPM	
STD. CONT. TORQUE LBS-FT [NM]	94 [127]	187 [254]	375 [508]	375 [508]	375 [508]	375 [508]	750 [1017]	
BRAKE METHOD	PNEUMATIC	PNEUMATIC	PNEUMATIC	PNEUMATIC	PNEUMATIC	PNEUMATIC	PNEUMATIC	
BRAKE TORQUE LBS-FT [NM]	125 [169]	125 [169]	300 [407]	345 [468]	345 [468]	800 [1085]	800 [1085]	
PROGRAMMABLE RESOLUTION	.001 DEG.	.001 DEG.	.001 DEG.	.001 DEG.	.001 DEG.	.001 DEG.	.001 DEG.	
STD. TOTAL ANGULAR ACCURACY	60 SEC.	30 SEC.	30 SEC.	30 SEC.	30 SEC.	30 SEC.	20 SEC.	
STD. REPEATABILITY	10 SEC.	10 SEC.	10 SEC.	10 SEC.	10 SEC.	10 SEC.	5 SEC.	
OPT. (H OR I) ANGLR. ACCURACY	+/-5	+/-5	+/-5 +/-3.6	+/-5 +/-3.6	+/-5 +/-3.6	+/-5 +/-3.6	+/-5 +/-3.6	
OPT. (H OR I) REPEATABILITY	+/-2	+/-2	+/-2 +/-1	+/-2 +/-1	+/-2 +/-1	+/-2 +/-1	+/-2 +/-1	
UNIT WEIGHT LBS [KG]	109 [49]	144 [65]	205 [92]	253 [114]	347 [156]	400 [179]	690 [310]	
SHIP WEIGHT LBS [KG]	159 [72]	194 [87]	255 [115]	303 [136]	397 [179]	450 [202]	825 [371]	

*Depends on type of servo motor *1 Vertical mount only *2 Table is less the pneumatic brake.